



Kerosene
Portable Heaters
OPERATOR'S MANUAL
MH-0070-0M10
MH-0125-0M10
MH-0175-0M10
MH-0215-0M10



CAUTION

RISK OF INJURY! READ ENTIRE MANUAL BEFORE OPERATING!
THIS MANUAL IS AN IMPORTANT PART OF THE PORTABLE HEATER
AND MUST REMAIN WITH THIS UNIT!

TABLE OF CONTENTS

INTRODUCTION.....	3
IMPORTANT!	3
IMPORTANT SAFETY INSTRUCTIONS.....	4
PORTABLE HEATER FEATURES.....	9
PORTABLE HEATER SPECIFICATIONS.....	10
ASSEMBLY.....	10
HARDWARE COMPONENTS	10
FRAME COMPONENTS	10
ASSEMBLY MH-0070-0M10 MODEL.....	11
ASSEMBLING HANDLE	11
ASSEMBLING CORDWRAP.....	11
ASSEMBLY FOR MH-0125-0M10, MH-0175-0M10, MH-0215-0M10 MODELS.....	11
ASSEMBLING FRAME AND WHEELS	11
ASSEMBLING CORDWRAP.....	11
OPERATION.....	12
FUELING THE HEATER	12
KEROSENE (#1-K).....	12
THEORY OF OPERATION	12
VENTILATION	12
TO START THE HEATER.....	13
TO STOP THE HEATER.....	13
TO RESTART THE HEATER.....	13
LONG TERM STORAGE.....	14
DRAIN FUEL TANK.....	14
MAINTENANCE	15
FUEL TANK:.....	15
AIR FILTERS:	15
FAN BLADES:.....	15
NOZZLES:	15
SPARK PLUG:	16
PHOTOCELL:	16
FUEL FILTER:	16
PUMP PRESSURE ADJUSTMENT:.....	17
TROUBLESHOOTING	18
STATEMENT OF WARRANTY.....	19
EXCLUSIONS	19

WARNING

Warning: This product contains lead, a chemical known to the State of California to cause birth defects or other reproductive harm.

Wash your hands after handling this product.

WARNING

This product contains one or more chemicals known to the State of California to cause cancer and birth defects or other reproductive harm.

INTRODUCTION

Congratulations on the purchase of your new Mi-T-M® Portable Heater! You can be assured your Mi-T-M® Portable Heater was constructed with the highest level of precision and accuracy. Each component has been rigorously tested by technicians to ensure the quality, endurance and performance of this heater.

This operator's manual was compiled for your benefit. By reading and following the simple safety, installation and operation, maintenance and troubleshooting steps described in this manual, you will receive years of troublefree operation from your new Portable Heater. The contents of this manual are based on the latest product information available at the time of publication. The Manufacturer reserves the right to make changes in price, color, materials equipment, specifications or models at any time without notice.

IMPORTANT!

A "DANGER, WARNING or CAUTION" safety warning will be surrounded by a "SAFETY ALERT BOX". This box is used to designate and emphasize Safety Warnings that must be followed when operating this heater. Accompanying the safety warnings are "Signal Words" which designate the degree or level of hazard seriousness. The "Signal Words" used in this manual are as follows:

DANGER: INDICATES AN IMMINENTLY HAZARDOUS SITUATION WHICH, IF NOT AVOIDED, WILL RESULT IN DEATH OR SERIOUS INJURY.

WARNING: INDICATES A POTENTIALLY HAZARDOUS SITUATION WHICH, IF NOT AVOIDED, COULD RESULT IN DEATH OR SERIOUS INJURY.

CAUTION: INDICATES A POTENTIALLY HAZARDOUS SITUATION WHICH, IF NOT AVOIDED MAY RESULT IN MINOR OR MODERATE INJURY OR DAMAGE TO THE HEATER.

The symbols set below are "Safety Alert Symbols". These symbols are used to call attention to items or procedures that could be dangerous to you or other persons using this equipment.



ALWAYS PROVIDE A COPY OF THIS MANUAL TO ANYONE USING THIS EQUIPMENT. READ ALL INSTRUCTIONS IN THIS MANUAL AND ANY INSTRUCTIONS SUPPLIED BY MANUFACTURERS OF SUPPORTING EQUIPMENT BEFORE OPERATING THE PORTABLE HEATER AND ESPECIALLY POINT OUT THE "SAFETY WARNINGS" TO PREVENT THE POSSIBILITY OF PERSONAL INJURY TO THE OPERATOR.

Once the unit has been uncrated, immediately write in the serial number of your unit in the space provided below.

SERIAL NUMBER _____

Inspect for signs of obvious or concealed freight damage. If damage does exist, file a claim with the transportation company immediately. Be sure that all damaged parts are replaced and that the mechanical and electrical problems are corrected prior to operation of the unit. If you require service, contact Mi-T-M® Customer Service.

Mi-T-M® Corporation, 8650 Enterprise Drive, Peosta, IA 52068
563-556-7484 / 800-553-9053 / Fax 563-556-1235
Monday - Friday 8:00 a.m. - 5:00 p.m. CST

Please have the following information available for all service calls:



1. Model Number
2. Serial Number
3. Date and Place of Purchase

IMPORTANT SAFETY INSTRUCTIONS





READ ALL SAFETY WARNINGS BEFORE USING PORTABLE HEATER




Hazard	Potential Consequence	Prevention
<p>RISK OF ELECTRIC SHOCK OR ELECTROCUTION</p> 	<p>Serious injury or death could occur if the portable heater is not properly grounded. Your heater is powered by electricity and may cause electric shock or electrocution if not used properly.</p> <p>Electrical shock may occur if the heater is not operated properly.</p> <p>Serious injury or death may occur if electrical repairs are attempted by unqualified persons.</p>	<p>Installation of this unit, including all electrical connections, must comply with all local, state and national codes.</p> <p>This product must be grounded. Connect to a GFCI circuit breaker when available. If the unit should malfunction or breakdown, grounding provides a path of least resistance for electric current to reduce the risk of electric shock. Do not ground to a gas supply line.</p> <p>Improper connection of the equipment-grounding conductor can result in a risk of electrocution. Check with a qualified electrician or service personnel if you are in doubt as to whether the system is properly grounded.</p> <p>Always be certain the unit is receiving proper voltage. Specified on the model plate of the heater. Use only a three-prong, grounded outlet and extension cord.</p> <p>Keep all connections dry and install the heater so that it is not directly exposed to water spray, rain, dripping water or wind.</p> <p>Any electrical wiring or repairs performed on this heater should be done by Authorized Service Personnel in accordance with National and Local electrical codes.</p> <p>Always unplug the heater when not in use.</p>
<p>RISK OF BURNS</p> 	<p>Serious injury could occur from touching exposed metal parts. These areas can remain hot for some time after the heater is turned off.</p>	<p>Never allow any part of your body or other materials to make contact with any exposed metal parts on the heater.</p>


IMPORTANT SAFETY INSTRUCTIONS


Hazard	Potential Consequence	Prevention
<p>RISK OF EXPLOSION OR FIRE</p> <div style="text-align: center;">  </div> <div style="text-align: center;">  </div>	<p>Serious injury or death may occur from normal electrical sparks in motor and pressure switch</p> <p>Serious injury may occur if the heater air inlet or outlet is blocked.</p> <p>Serious injury or death may occur if improper fuels are used, if heater is running while refilling.</p> <p>Serious injury may occur if heater is not placed on level surface and is kept away from children and animals.</p>	<p>Always operate portable heater in a well ventilated area free of flammable vapors, combustible dust, gases or other combustible materials.</p> <p>Never place objects in front of air inlet (rear) or air outlet (front) of heater. Never use duct work in front or at rear of heater. Keep all combustible material away from this heater.</p> <p>Never use fuels such as gasoline, benzene, paint thinners, or other oil compounds in this heater. Never refill the heater's fuel tank while heater is operating or still hot. This heater is EXTREMELY HOT while in operation.</p> <p>Never transport heater with fuel in its tank.</p> <p>Bulk fuel storage should be a minimum of 25 ft. from heaters, torches, portable generators, or other sources of ignition. All fuel storage should be in accordance with federal, state, or local authorities having jurisdiction.</p> <p>Never move or handle heater while still hot.</p> <p>If equipped with a thermostat, the heater may start at any time.</p> <p>Always locate heater on a stable and level surface away from children and animals.</p>

IMPORTANT SAFETY INSTRUCTIONS

Hazard	Potential Consequence	Prevention
<p>RISK TO BREATHING</p> 	<p>Serious injury or death could occur from failure to provide proper ventilation according to this manual..</p>	<p>This is a kerosene, direct-fired, forced air heater. It is primarily intended for use for temporary heating of buildings under construction, alteration or repair. Direct-fired means that all of the combustion products of the heater enter the heated space. This appliance is rated at 98% combustion efficiency, but does produce small amounts of carbon monoxide. Carbon monoxide is toxic. Humans can tolerate small amounts of carbon monoxide, and precautions should be taken to provide proper ventilation..</p> <p>Early signs of carbon monoxide poisoning resemble the flu. Symptoms of improper ventilation are: * headache * dizziness * burning of the nose and eyes * nausea * dry mouth * sore throat</p> <p>Use this heater only in well ventilated areas! Provide at least a three square foot (2,800 sq cm) opening of outside air for every 100,000 BTU/hr of heater rating.</p> <p>People with breathing problems should consult a physician before using the heater.</p> <p>Carbon Monoxide Poisoning: Early signs of carbon monoxide poisoning resemble flu-like symptoms such as headaches, dizziness, and/or nausea. If you have these symptoms, your heater may not be working properly.</p> <p>Get fresh air at once! Have the heater serviced. Some people are more affected by carbon monoxide than others. These include pregnant women, those with heart or lung problems, anemia, or those under the influence of alcohol, or at high altitudes.</p> <p>Never use this heater in living or sleeping areas.</p>

IMPORTANT SAFETY INSTRUCTIONS

 **FIRE, BURN, INHALATION, AND EXPLOSION HAZARD. KEEP COMBUSTIBLES, SUCH AS BUILDING MATERIALS, PAPER OR CARDBOARD, A SAFE DISTANCE AWAY FROM THE HEATER AS RECOMMENDED BY THESE INSTRUCTIONS. NEVER USE THE HEATER IN SPACES WHICH CONTAIN PRODUCTS SUCH AS GASOLINE, SOLVENTS, PAINT THINNERS, DUST PARTICLES, VOLATILE OR AIRBORNE COMBUSTIBLES, OR ANY UNKNOWN CHEMICALS. THIS IS AN UNVENTED PORTABLE HEATER. IT USES AIR (OXYGEN) FROM THE AREA IN WHICH IT IS USED. ADEQUATE COMBUSTION AND VENTILATION AIR MUST BE PROVIDED. REFER TO VENTILATION.**

 **CALIFORNIA RESIDENTS: COMBUSTION BY-PRODUCTS PRODUCED WHEN USING THIS PRODUCT CONTAIN CARBON MONOXIDE, A CHEMICAL KNOWN TO THE STATE OF CALIFORNIA TO CAUSE CANCER AND BIRTH DEFECTS (OR OTHER REPRODUCTIVE HARM). DO NOT OPERATE THIS HEATER UNTIL YOU HAVE READ, AND THOROUGHLY UNDERSTAND THESE SAFETY AND OPERATING INSTRUCTION. FAILURE TO COMPLY WITH THE PRECAUTIONS AND INSTRUCTIONS PROVIDED WITH THIS HEATER CAN RESULT IN DEATH, SERIOUS BODILY INJURY, PROPERTY LOSS OR DAMAGE FROM THE HAZARDS OF FIRE, EXPLOSION, BURNS, ASPHYXIATION OR CARBON MONOXIDE POISONING. ONLY PERSONS WHO CAN READ AND UNDERSTAND THESE INSTRUCTIONS SHOULD USE OR SERVICE THIS HEATER.**

NOT FOR USE IN HOMES OR RECREATIONAL VEHICLES.

 **MASSACHUSETTS RESIDENTS: MASSACHUSETTS STATE LAW PROHIBITS THE USE OF THIS HEATER IN ANY BUILDING WHICH IS USED IN WHOLE OR IN PART FOR HUMAN HABITATION. USE OF THIS HEATING DEVICE IN MASSACHUSETTS REQUIRES LOCAL FIRE DEPARTMENT PERMIT (M.G.L.C.148, SECTION 10A).**

 **CALIFORNIA RESIDENTS: THIS HEATER PRODUCES CARBON MONOXIDE, WHICH IS LISTED BY THE STATE OF CALIFORNIA AS A REPRODUCTIVE TOXIN UNDER PROPOSITION 65. NOT FOR USE IN HOMES OR RECREATIONAL VEHICLES.**

 **THE NEW YORK CITY FIRE CODE PROHIBITS THE STORAGE, HANDLING AND USE OF KEROSENE FUELED HEATERS FOR SPACE HEATING. ANY PERSON VIOLATING THAT PROVISION MAY BE PUNISHED BY A FINE OF UP TO \$10,000 AND A TERM OF IMPRISONMENT UP TO 6 MONTHS.**

 **NEVER LEAVE HEATER UNATTENDED WHILE BURNING OR WHILE CONNECTED TO A FUEL SOURCE.**

 **! SAVE THESE INSTRUCTIONS !** 



**THE FOLLOWING PAGES CONTAIN OPERATING AND
MAINTENANCE INSTRUCTIONS.**

**DO NOT ATTEMPT TO OPERATE THIS PORTABLE HEATER
UNTIL YOU HAVE READ AND UNDERSTOOD ALL SAFETY
PRECAUTIONS AND INSTRUCTIONS LISTED IN THIS MANUAL.**

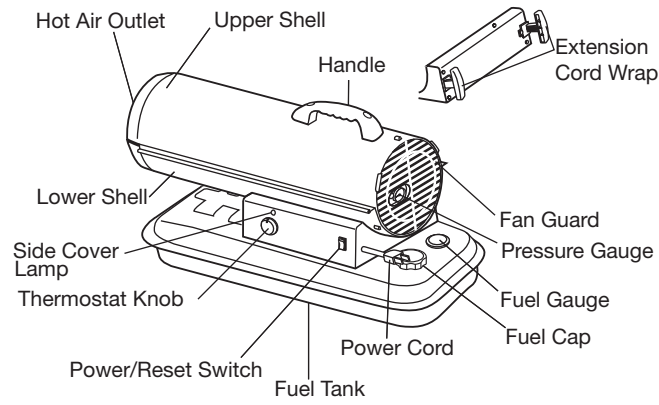
**INCORRECT OPERATION OF THIS UNIT CAN CAUSE SERIOUS
INJURY!!**

**DO NOT ALTER OR MODIFY THIS EQUIPMENT
IN ANY MANNER!**

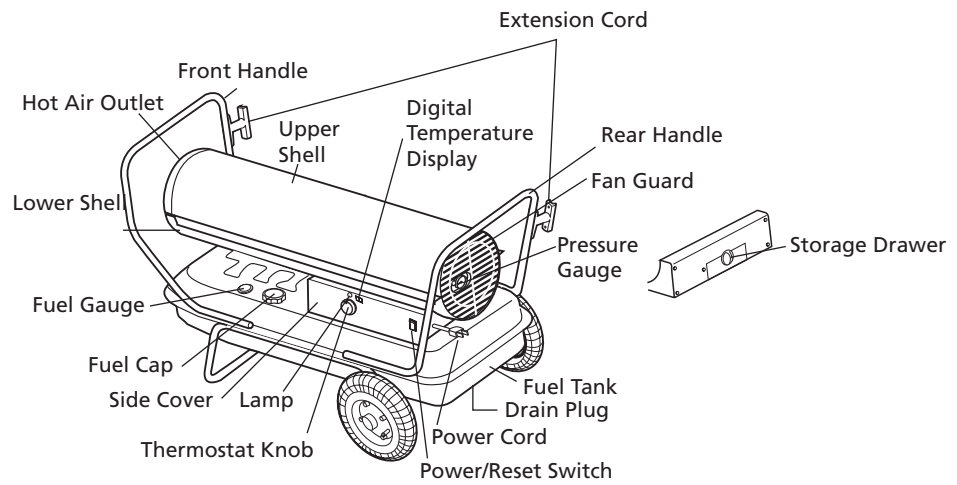
**NEVER LEAVE HEATER UNATTENDED WHILE BURNING OR
WHILE CONNECTED TO A FUEL SOURCE.**

PORTABLE HEATER FEATURES

Model shown MH-0070-0M10



Models shown MH-0125-0M10, MH-0175-0M10, MH-0215-0M10




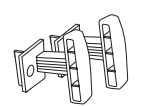
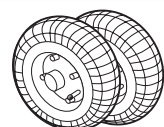
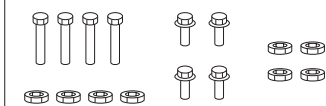
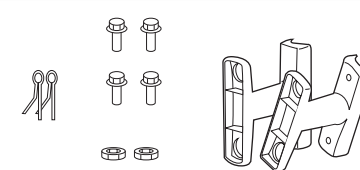
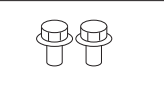



PORTABLE HEATER SPECIFICATIONS

Model	MH-0070-0M10	MH-0125-0M10	MH-0175-0M10	MH-0215-0M10
Rating BTU/Hr	70,000	125,000	175,000	215,000
Fuel Consumption Gal/Hr	0.53	.95	1.34	1.63
Fuel Tank Capacity Gallons	5.0	10.0	13.0	13.0
Pump Pressure PSI	4.0	5.0	7.5	9.0
Volt/Hz	120VAC/ 60 Hz	120VAC/ 60 Hz	120VAC/ 60 Hz	120VAC/ 60 Hz
Amps	1.5	2.3	2.7	2.8
Phase	Single	Single	Single	Single
Size (L x W x H)	30" x 13" x 15"	37" x 22" x 25"	42" x 24" x 26"	42" x 24" x 26"
Net Weight (Lbs)	28	51	58	61

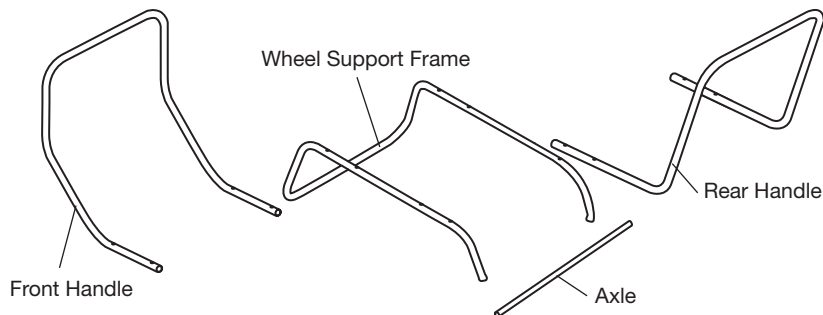
Minimum clearance from Combustibles:				
	MH-0070-0M10	MH-0125-0M10	MH-0175-0M10	MH-0215-0M1k
Top	4 ft.	4 ft.	4 ft.	4 ft.
Sides	4 ft.	4 ft.	4 ft.	4 ft.
Front	8 ft.	8 ft.	8 ft.	8 ft.

ASSEMBLY

HARDWARE COMPONENTS

 Handle	 Cord Wraps	 Wheels	 Frame Component Hardware		 Cotter Pins, Screws and Nuts (4 ea.) and Cord Wraps
 Hardware Kit	 Wheel Caps	 Bushings	 Washers, (L) and (S)		

FRAME COMPONENTS



ASSEMBLY

Note: Different models require different assemblies

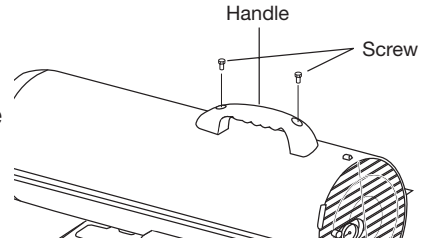
Note: Tools required for MH-0070-0M10 models: medium phillips screw driver.

Note: Tools required for MH-0125-0M10, MH-0175-0M10, MH-0215-0M10 models: medium phillips screw driver, 5/16" open end or adjustable wrench, needle nose pliers.

ASSEMBLY FOR MH-0070-0M10 MODEL

ASSEMBLING HANDLE

1. Align the holes in the upper housing with the 2 holes in the handle as shown.
2. Insert and tighten screws securely with screw driver.



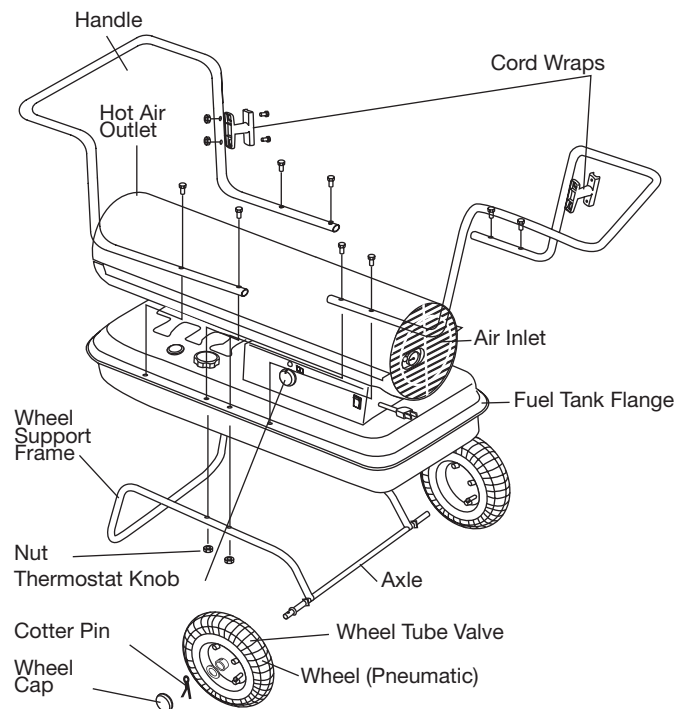
ASSEMBLING CORDWRAP

1. Insert tabs on cordwrap into slots in shell support, lining up the holes on the cordwrap with those on the side cover.
2. Insert and tighten screws securely with screw driver.

ASSEMBLY FOR MH-0125-0M10, MH-0175-0M10, MH-0215-0M10 MODELS

ASSEMBLING FRAME AND WHEELS

1. Slide axle through holes in wheel support frame. Slide wheel bushings and flat washer on to each end of axle.
2. Slide wheels on to each axle, being sure that the valve stem (if pneumatic) is to the outside.
3. Slide flat washers onto axle past the small hole. Insert cotter pin in axle hole and bend legs of pin with needle nose pliers to secure.
4. Snap the wheel caps onto the large washers.
5. Place heater on the assembled frame, making sure that the air inlet end is by the wheels, and the mounting holes on the tank flange of the heater align with holes in frame.
6. Take the front handle and align the mounting holes with the corresponding holes in the tank flange/wheel frame. Slide a screw through the holes and loosely attach a nut. Repeat for the other 3 holes, then fully tighten all 4 screws and nuts.
7. Repeat this process with the rear handle.



ASSEMBLING CORDWRAP

⚠ CAUTION: DO NOT OPERATE HEATER WITHOUT SUPPORT FRAME FULLY ASSEMBLED TO TANK.

1. Align holes in cordwrap with corresponding holes in front handle. Insert screws through holes, attach nuts and tighten.
2. Repeat this process with the rear handle. Do not operate heater without support frame fully assembled to tank.

⚠ NEVER LEAVE HEATER UNATTENDED WHILE BURNING OR WHILE CONNECTED TO A FUEL SOURCE.

OPERATION

FUELING THE HEATER

CAUTION: NEVER FILL THE FUEL TANK INDOORS. ALWAYS FILL THE TANK OUTDOORS. BE SURE THAT THE HEATER IS ON LEVEL GROUND WHEN FUELING, AND NEVER OVERFILL THE FUEL TANK.

It is always a good idea to fire the heater outdoors for the first time. This will allow any oils used in the manufacturing process to be burned off in a safe environment. This initial burn should last at least 10 minutes

KEROSENE (#1-K)

For optimal performance of this heater, it is strongly suggested that #1-K kerosene be used. #1-K kerosene has been refined to virtually eliminate contaminants, such as sulfur, which can cause a rotten egg odor during the operation of the heater. However, #1, #2 (diesel fuel), JP-8 or Jet A fuel oil may also be used if #1-K kerosene is not available. Be advised that these fuels do not burn as clean as #1-K kerosene, and care should be taken to provide more fresh air ventilation to accommodate any added contaminants that may be added to the heated space.

WARNING: DO NOT USE BIO-DIESEL AS THIS FUEL WILL DAMAGE YOUR HEATER'S SEALS AND FILTER. CSA CERTIFIED FOR USE WITH 1-K KEROSENE, NO. 1 AND NO. 2 DIESEL, JP8/JET A FUEL, NO. 1 AND NO. 2 FUEL OIL.

NOTE: Kerosene should only be stored in a blue container that is clearly marked "kerosene". Never store kerosene in a red container. Red is associated with gasoline.

- NEVER store kerosene in the living space. Kerosene should be stored in a well ventilated area outside the living area.
- NEVER use fuel such as gasoline, benzene, alcohol, white gas, camp stove fuel, paint thinners, or other oil compounds in this heater (THESE ARE VOLATILE FUELS THAT CAN CAUSE A FIRE OR EXPLOSION).
- NEVER store kerosene in direct sunlight or near a source of heat.
- NEVER use kerosene that has been stored from one season to the next. Kerosene deteriorates over time. OLD KEROSENE WILL NOT BURN PROPERLY IN THIS HEATER.
- Use #1-K kerosene in this heater. #1, #2 (diesel fuel), JP-8, or Jet A fuel oil is a suitable substitute.

NEVER LEAVE HEATER UNATTENDED WHILE BURNING OR WHILE CONNECTED TO A FUEL SOURCE.

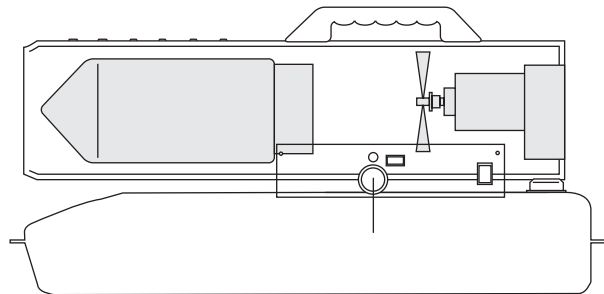
THEORY OF OPERATION

Fuel System: This heater is equipped with an air pump that operates off of the electric motor. The pump forces air through the air line connected to the fuel tank, drawing fuel to the nozzle in the burner head. Air also passes through the nozzle where it mixes with the fuel and is sprayed into the combustion chamber in a fine mist.

Quick-Fire Ignition: A transformer sends high voltage to a two pronged spark plug. The spark ignites the fuel/air mixture as it is sprayed into the combustion chamber.

Air System: A fan is turned by the heavy duty motor, which forces air around and into the combustion chamber, where it is super-heated and forced out the front of the chamber.

Temperature Limit Control: This heater is equipped with a Temperature Limit Control designed to turn the heater off should the internal temperature rise to an unsafe level. If this device activates and turns your heater off, it may require service. Once the temperature falls below the reset temperature, you will be able to start your heater.



OPERATION

Electrical System Protection: The heaters' electrical system is protected by a circuit breaker that protects the system components from damage. If the heater fails, check the fuse first, and replace if necessary.

Flame Sensor: The heater uses a photocell to "see" the flame in the combustion chamber. Should the flame extinguish, the sensor will stop electrical current and the heater will shut off.

VENTILATION

Risk of indoor air pollution. Use heater only in well ventilated areas. Always provide a fresh air opening in the heated space of at least three square feet (2,800 sq. cm) for each 100,000 BTU/Hr. of heater output. Provide a larger opening if more heaters are being used. As an example, an MH-0215-0M10 heater will require:

- a two-car garage door open 6 inches, or
- a single car garage open 9 inches, or
- two thirty two inch wide windows open fifteen inches.

TO START THE HEATER

1. Fill the tank with kerosene until fuel gauge points to "F".
2. Be sure fuel cap is secure.
3. Plug power cord into three prong, grounded extension cord and plug extension cord into three prong 120V grounded

The extension cord should be at least six feet long.

Minimum extension cord wire size requirements are as follows:

- 6 to 10 feet (1.8 to 3 meters), use 18 AWG wire.
 - 11 to 100 feet (3.4 to 30.4 meters), use 16 AWG wire.
 - 101 to 200 feet (30.8 to 61 meters), use 14 AWG wire.
4. Turn thermostat control knob to desired temperature setting. The setting range is from 40° F to 110° F. Push the Power switch to the "ON" position. The power indicator lamp and room temperature display (MH-0125-0M10/MH-0175-0M10/MH-0215-0M10 only) will light and the heater will start.

NOTE: The room temperature display (MH-0125-0M10/MH-0175-0M10/MH-0215-0M10 only) will indicate the following:

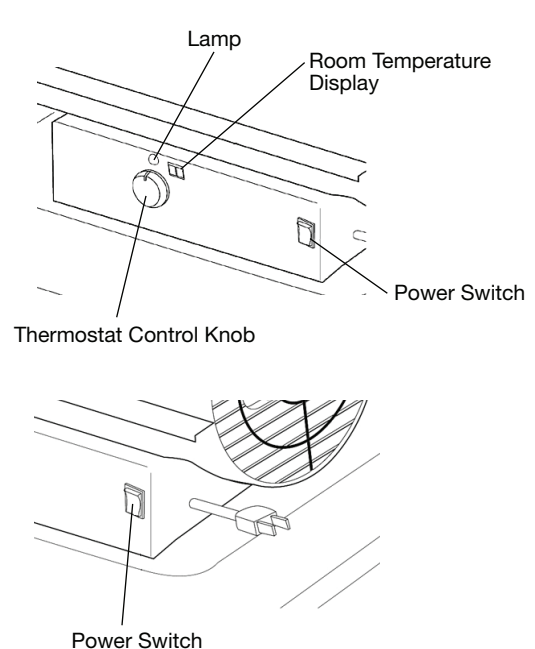
- When temperature is less than 0° F, display says "LO".
- When temperature is above 99° F, display says "HI".
- Between 0° and 99° F display shows actual temperature.

If the heater does not fire, the thermostat may be set too low. Turn the Control Knob to a higher setting until heater fires. If the heater still does not start, push Power Switch to "OFF", then back to "ON". If heater still does not fire, see Troubleshooting Guide.

NOTE: The electrical components of this heater are protected by a fuse mounted in the PC board. If the heater fails to fire, check this fuse first, and replace if necessary. Also check the power source to be sure that the proper voltage is being provided to the heater.

⚠ NEVER LEAVE HEATER UNATTENDED WHILE BURNING OR WHILE CONNECTED TO A FUEL SOURCE.

Note: Using Diesel fuel can cause excess soot production



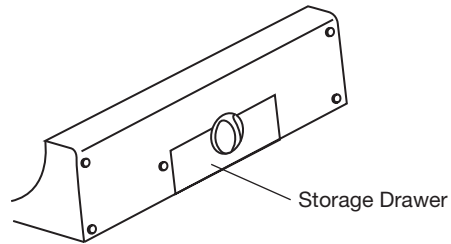
OPERATION

TO STOP THE HEATER

Simply turn the Power switch to “OFF” position and unplug the Power Cord.

TO RESTART THE HEATER

1. Wait ten seconds after shutting off heater.
2. Turn the Power Switch to “ON” position.
3. Be sure to follow all starting procedure precautions.



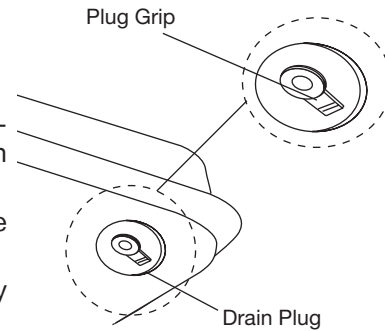
**MH-0125-0M10 / MH-0175-0M10 /
MH-0215-0M10 ONLY**

LONG TERM STORAGE

DRAIN FUEL TANK

For model MH-0070-0M10, drain fuel through the fuel cap opening. For models MH-0125-0M10/MH-0175-0M10/MH-0215-0M10, drain fuel through the Drain Plug at the bottom of the Fuel Tank.

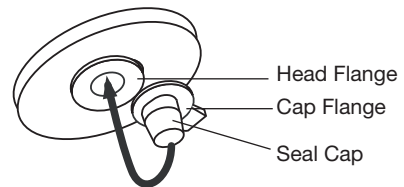
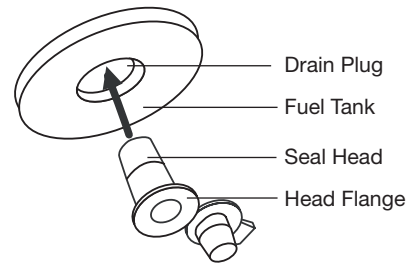
1. To remove the Drain Plug (MH-0125-0M10/MH-0175-0M10/MH-0215-0M10), pull the Plug Grip downward and remove seal head from drain hole in tank.
2. Using a small amount of kerosene, rinse and swirl the kerosene inside of the Fuel Tank. Empty the tank fully.
3. To replace, push the drain head fully into the drain hole and secure by pushing the seal cap fully into the head hole .



***IMPORTANT:** Never store leftover kerosene over the summer. Using old fuel can damage your heater.*

Store heater in a dry, well-ventilated area. Be sure that the storage area is free of dust and corrosive vapors. Repack the heater in the original shipping material. Keep the Users Manual in an easily accessible place.

⚠ NEVER LEAVE HEATER UNATTENDED WHILE BURNING OR WHILE CONNECTED TO A FUEL SOURCE.



MAINTENANCE

⚠ WARNING: NEVER SERVICE HEATER WHILE IT IS PLUGGED IN OR WHILE HOT!

Use only original equipment replacement parts. The use of alternate or third party components can cause unsafe operating conditions, and will void your warranty.

We suggest following a maintenance schedule as follows:

FUEL TANK:

Flush every 200 hours of operation or as needed. Do not use water to flush the tank. Use fresh #1-K kerosene only.

AIR FILTERS:

The Air Intake Filter should be replaced or washed with soap and water and dried thoroughly every 500 hours of operation, or less, depending on conditions. The Output and Lint Filters should be replaced every 500 hours of operation or less, depending on conditions.

⚠ WARNING: USING HEATER WITHOUT PROPER MAINTENANCE CAN LEAD TO IMPROPER COMBUSTION AND SOOT PRODUCTION

⚠ NEVER LEAVE HEATER UNATTENDED WHILE BURNING OR WHILE CONNECTED TO A FUEL SOURCE.

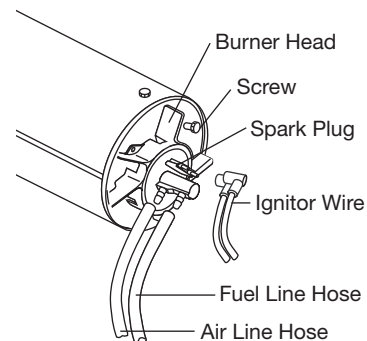
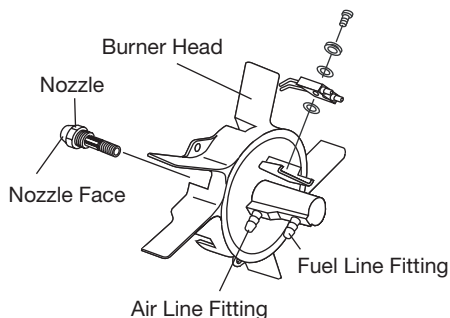
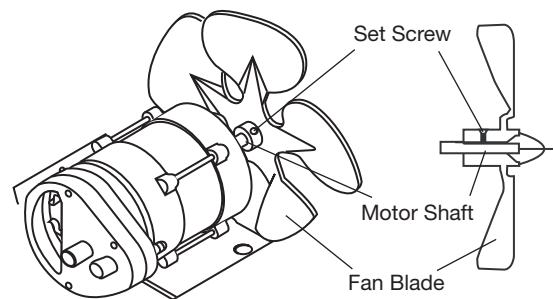
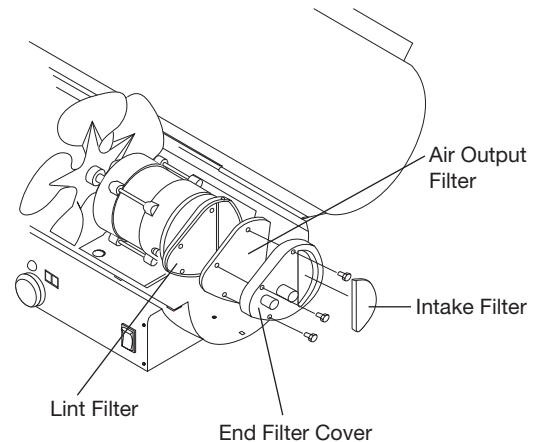
FAN BLADES:

Blades should be cleaned at least once per heating season, depending on conditions. Remove all accumulated dust and dirt with a damp cloth, taking care not to bend any of the fan blades. Be sure fan blades are dry before re-starting the heater.

NOZZLES:

Nozzles should be cleaned or replaced at least once per heating season. Contaminated fuel could make this necessary immediately.

To clean dirt from nozzle, blow compressed air through nozzle front. It may be necessary to soak nozzle in clean #1-K kerosene to help loosen any particles.



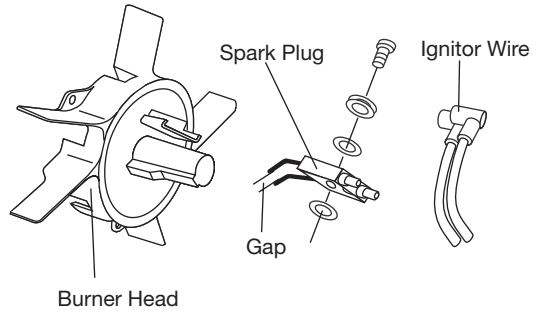
MAINTENANCE

SPARK PLUG:

Clean and re-gap every 600 hours of operation, or replace as needed. After removing the Spark Plug, clean the terminals with a wire brush. Re-gap the terminals to 0.140" (3.5mm).

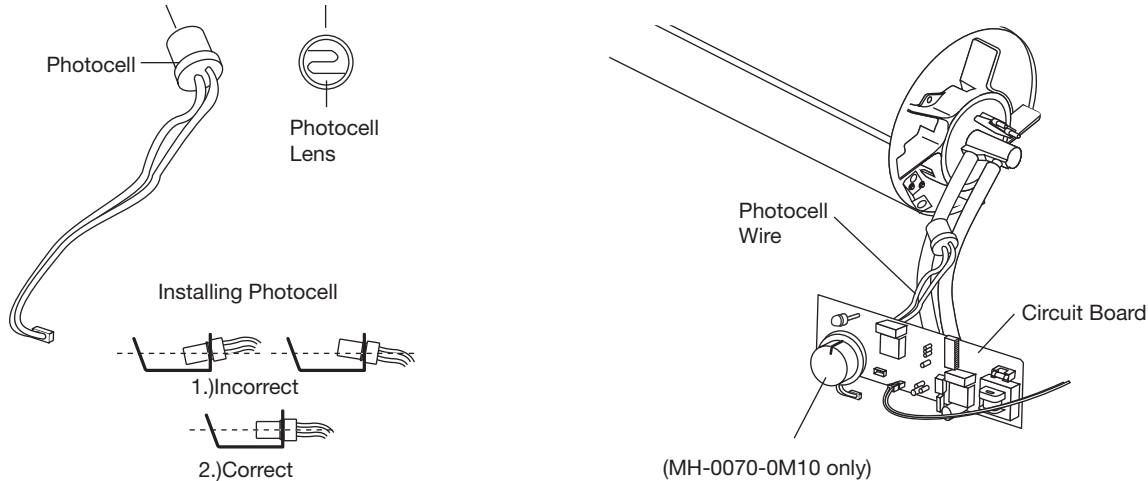
⚠ NEVER LEAVE HEATER UNATTENDED WHILE BURNING OR WHILE CONNECTED TO A FUEL SOURCE.

⚠ IMPORPER MAINTENANCE CAN LEAD TO POOR COMBUSTION AND SOOT PRODUCTION



PHOTOCELL:

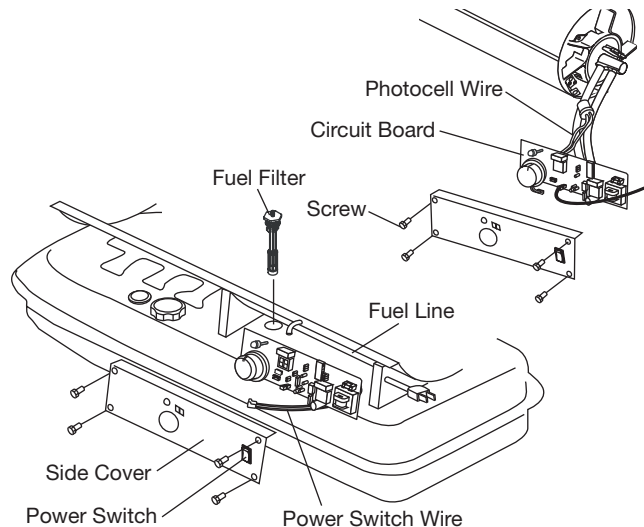
The Photocell should be cleaned at least once per heating season or more depending on conditions. Use a cotton swap dipped in water or alcohol to clean the lens of the Photocell. Note the proper Photocell position as noted.



FUEL FILTER:

The Fuel Filter should be cleaned at least twice per heating season by rinsing it in clean #1-K kerosene. Contaminated fuel could make this necessary immediately.

NOTE: To remove the filter from model MH-0070-0M10, turn filter 90° clockwise. To remove the filter from models MH-0125-0M10 / MH-0175-0M10 / MH-0215-0M10, turn filter 90° counter-clockwise.



MAINTENANCE

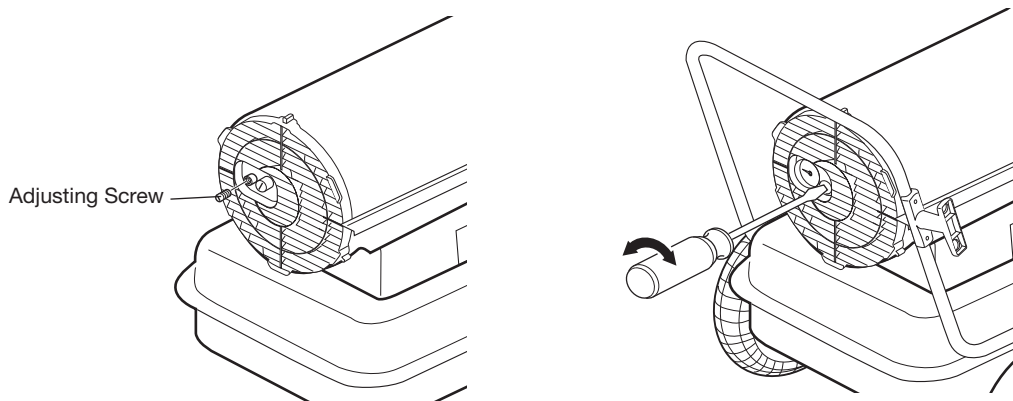
PUMP PRESSURE ADJUSTMENT:

While heater is operating, turn relief valve clockwise to increase, counterclockwise to decrease. Use flat blade screwdriver to turn valve. Correct pump pressure is as follows:

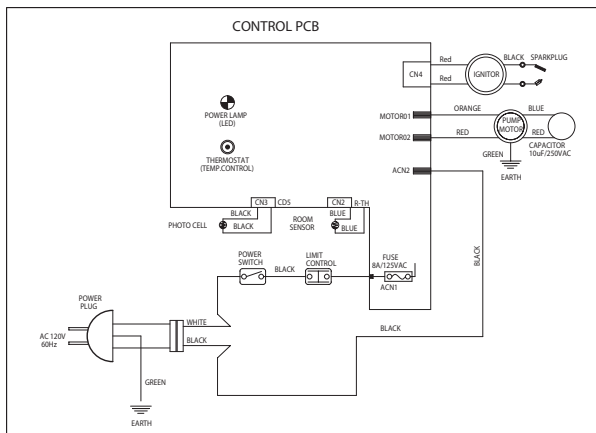
Model #	Pump Pressure
MH-0070-0M10	4.0 PSI
MH-0125-0M10	5.0 PSI
MH-0175-0M10	7.5 PSI
MH-0215-0M10	9.0 PSI

Tolerance $\pm 10\%$

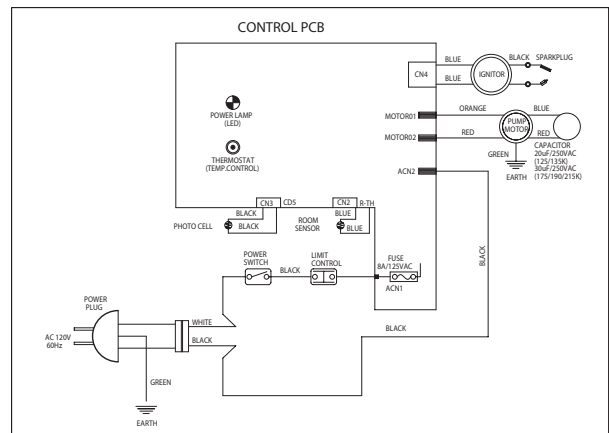
For best measurement of pressure, test with full tank of fuel. Optimum pressure occurs when the nose cone is cherry red and there are no extending flames from the heater.



⚠ NEVER LEAVE HEATER UNATTENDED WHILE BURNING OR WHILE CONNECTED TO A FUEL SOURCE.



MH-0070-0M10



MH-0125-0M10, MH-0175-0M10, MH-0215-0M10

TROUBLESHOOTING

SYMPTOM

Heater fires, but Main PCB shuts heater off after a short period of time. Lamp is flickering, and LED display shows "E1".

PROBABLE CAUSE

1. Incorrect pump pressure
2. Dirty Input, Output or Lint Filter
3. Dirty Fuel Filter
4. Nozzle is Dirty
5. Photocell lens is Dirty
6. Photocell not installed properly
7. Photocell Defective
8. Improper electrical connection between Main PCB and Photocell.

REMEDY

1. Adjust Pump Pressure
2. Clean/replace Air Filter
3. Clean/replace Fuel Filter
4. Clean/replace Nozzle
5. Clean/replace Photocell
6. Adjust Photocell position
7. Replace Photocell
8. Check wiring connections (See Wiring Diagrams)

Heater will not operate, or motor runs for short time. Lamp flickers and LED display shows "E1".

1. No kerosene in fuel tank
2. Incorrect pump pressure
3. Corroded Spark Plug or incorrect plug gap.
4. Dirty Fuel Filter
5. Dirty Nozzle
6. Moisture in Fuel/Fuel Tank
7. Improper electrical connection between Transformer and Circuit Board
8. Ignitor Wire not connected to Spark Plug
9. Defective Ignitor

1. Fill tank with fresh kerosene
2. Adjust Pump Pressure
3. Clean/replace Spark Plug
4. Clean/replace Fuel Filter
5. Clean/replace Nozzle
6. Rinse out fuel tank with clean fresh kerosene
7. Inspect all electrical connections. See Wiring Diagrams
8. Re-attach Ignitor wire to Spark Plug
9. Replace Ignitor

Fan does not operate when heater is plugged in and Power Switch is in the "ON" position. The lamp is flickering or on and LED Display shows "E1" or "E2".

1. Thermostat is set too low
2. Broken electrical connection between Main PCB and motor

1. Rotate thermostat to a higher setting
2. Inspect all electrical connections. See Wiring Diagrams

Lamp is flickering, and LED display shows "E3"

1. Thermostat Switch has failed

1. Replace Thermostat Switch. See Wiring Diagrams

Poor Combustion

1. Flames extending beyond heater
2. Low heat output

1. Decrease Pump Pressure
2. Increase Pump Pressure

Heater does not turn on and the lamp is not lit

1. Temperature limit sensor has overheated
2. No electrical power
3. Fuse Blown
4. Improper electrical connection between Temperature Limit Sensor and Circuit Board

1. Push Power Switch to "OFF" and allow heater to cool for 10 minutes. Push Power Switch back to "ON"
2. Check power cord and extension cord to insure proper connection. Test power supply
3. Check/replace Fuse
4. Inspect all electrical connections. See wiring Diagrams



STATEMENT OF WARRANTY

Mi-T-M warrants this heater to the original retail purchaser only, to be free from defects in material and workmanship for a period of

one (1) year from the date of initial purchase.

This product must be properly installed, maintained and operated in accordance with the instructions provided. Mi-T-M requires reasonable proof of your date of purchase from an authorized retailer or distributor. Therefore, you should keep your sales slip, invoice, or cancelled check from the original purchase.

EXCLUSIONS

1. This Limited Warranty shall be limited to the repair or replacement of parts, which prove defective Mi-T-M shall determine at its reasonable discretion. This warranty does not include wear items: filters, vanes, nozzles, and rotors.
2. This Limited Warranty does not cover any failures or operating difficulties due to normal wear and tear, accident, abuse, misuse, alteration, misapplication, improper installation or improper maintenance and service by you or any third party. Failure to perform normal and routine maintenance on the heater, shipping damage, damage related to insects, birds, or animals of any kind, and damage due to weather conditions are also not covered.
3. In addition, the Limited Warranty does not cover damage to the finish, such as scratches, dents, discoloration, rust or other weather damage, after purchase.

All transportation costs for the return of the damaged product or parts will be the responsibility of the purchaser. Upon receipt of damaged item, Mi-T-M will examine the item and determine if defective. Mi-T-M will repair or replace and return the item, freight pre-paid. If Mi-T-M finds the item to be in normal operating condition, or not defective, the item will be returned freight collect.

This Limited Warranty is in lieu of all other express warranties. Mi-T-M disclaims all warranties for products that are purchased from sellers other than authorized retailers or distributors.

AFTER THE PERIOD OF THE ONE (1) YEAR EXPRESS WARRANTY EXPIRES, MI-T-M DISCLAIMS ANY AND ALL IMPLIED WARRANTIES, INCLUDING WITHOUT LIMITATION THE IMPLIED WARRANTIES OF MERCHANTABILITY AND FITNESS FOR A PARTICULAR APPLICATION. FURTHER, MI-T-M SHALL HAVE NO LIABILITY WHATSOEVER TO PURCHASER OR ANY THIRD PARTY FOR ANY SPECIAL, INDIRECT, PUNITIVE, INCIDENTAL, OR CONSEQUENTIAL DAMAGES.

Mi-T-M assumes no responsibility for any defects caused by third parties. This Limited Warranty gives the purchaser specific legal rights; a purchaser may have other rights depending upon where he or she lives. Some states do not allow the exclusion or limitation of special, incidental or consequential damages, or limitations on how long a warranty lasts, so the above exclusion and limitations may not apply to you. Mi-T-M does not authorize any person or company to assume for it any other obligation or liability in connection with the sale, installation, use, removal, return, or replacement of its equipment, and no such representations are binding on Mi-T-M. Always be sure to specify model number and serial number when making any claim with Mi-T-M.

**For Service or Warranty Consideration, contact
Mi-T-M® Corporation, 8650 Enterprise Drive, Peosta, IA 52068
563-556-7484 / 800-553-9053 / Fax 563-556-1235
Monday - Friday 8:00 a.m. - 5:00 p.m. CST**

TABLE OF CONTENTS

INTRODUCTION	22
IMPORTANT!.....	22
SÉCURITÉ.....	23
CARACTÉRISTIQUES	28
ASSEMBLAGE	30
FONCTIONNEMENT.....	31
ENTRETIEN.....	34
DÉPANNAGE	37
GARANTIE LIMITÉE	38

WARNING

AVERTISSEMENT: Ce produit contient du plomb, un produit chimique qui est connu par l'état de Californie comme étant la cause de cancer et de malformations congénitales ou autres effets nocifs de reproduction.

Laver vos mains après avoir manipulé ce produit.

AVERTISSEMENT

Ce produit contient un ou plusieurs produits chimiques qui sont connus par l'état de Californie comme étant la cause de cancer, de défauts de naissance et d'autres problèmes reproductifs.

INTRODUCTION

Félicitations de l'achat de votre nouveau le radiateur! Vous pouvez être assuré que votre nouveau le radiateur a été construit avec le plus haut niveau de précision et de fiabilité. Chaque composant a été rigoureusement testé par des techniciens pour assurer la qualité, la durabilité et la performance de le radiateur.

Ce manuel opérateur a été dressé pour que vous en retirez le meilleur parti. Par la lecture et l'application des mesures simples de sécurité, d'installation et d'opération, d'entretien et de dépannage décrites dans ce manuel, votre nouveau le radiateur fonctionnera sans faille pendant de nombreuses années. Le contenu de ce manuel est basé sur la dernière information disponible du produit au moment de la publication. Mi-T-M® se réserve le droit d'effectuer des changements de prix, de couleur, de matériaux, d'équipement, de caractéristiques ou de modèles à tout moment sans communication préalable.



IMPORTANT!

Les avertissements de sécurité "DANGER, AVERTISSEMENT ou ATTENTION" seront entourés par un "ENCADRE ALERTE SECURITE". Cet encadré est utilisé pour indiquer et souligner les avertissements de sécurité qui doivent être suivis en actionnant ce compresseur d'air. En plus des avertissements de sécurité, des "mots d'alerte" sont utilisés pour indiquer le degré ou niveau de risque. Les "mots d'alerte" utilisés dans ce manuel sont comme suit:

DANGER: INDIQUE UNE SITUATION AU DANGER IMMINENT QUI, SI ELLE N'EST PAS ÉVITÉE, ENTRAÎNERA LA MORT OU DES BLESSURES GRAVES.

AVERTISSEMENT: INDIQUE UNE SITUATION POTENTIELLEMENT DANGEREUSE QUI, SI ELLE N'EST PAS ÉVITÉE, POURRAIT ENTRAÎNER LA MORT OU DES BLESSURES GRAVES.

ATTENTION: INDIQUE UNE SITUATION POTENTIELLEMENT DANGEREUSE, QUI, SI ELLE N'EST PAS ÉVITÉE, PEUT ENTRAÎNER DES BLESSURES MINEURES OU PEU GRAVES ET DES DÉGATS AU COMPRESSEUR.



Les symboles placés à gauche de ce paragraphe sont des "symboles d'alerte de sécurité". Ces symboles sont utilisés pour souligner les points ou les procédures qui pourraient être dangereuses pour vous ou tout autre personne utilisant cet équipement.

Fournissez toujours une copie de ce manuel à toute personne utilisant cet équipement. Lisez toutes les instructions dans ce manuel et toutes instructions fournies par les fabricants d'équipement de support avant d'utiliser ce compresseur d'air et attirer spécialement l'attention aux "Avertissements de Sécurité" pour éviter la possibilité de blessures pour l'utilisateur.

Une fois l'appareil déballé, écrivez immédiatement le numéro de série de votre appareil dans l'espace ci-dessous.

NUMERO DE SERIE _____



Assurez-vous qu'il n'y a pas de signes de dommages évidents ou cachés suite au transport. En cas de dommage, remplissez immédiatement une réclamation avec la compagnie de transport. Assurez-vous que toutes les pièces endommagées sont remplacées et les problèmes mécaniques et électriques corrigés avant l'utilisation de l'appareil. Si vous avez besoin d'assistance, entrez en contact avec votre service clientèle.

Mi-T-M® Corporation, 8650 Enterprise Drive, Peosta, IA 52068
563-556-7484 / 800-553-9053 / Fax 563-556-1235
du lundi au vendredi de 8h00 à 17h, CST (heure centrale)



Veuillez avoir les informations suivantes disponibles pour toute intervention:

1. Numéro de modèle
2. Numéro de série
3. Date et lieu d'achat

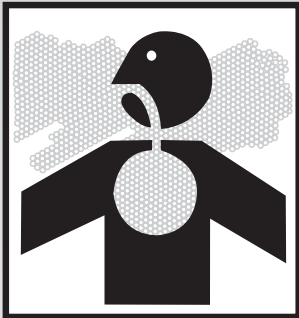
IMPORTANTES CONSIGNES DE SECURITE

Hazard	Potential Consequence	Prevention
<p style="text-align: center;">RISQUE DE DÉCHARGE ÉLECTRIQUE OU D'ÉLECTROCUTION</p> <div style="text-align: center;">  </div>	<p>Des étincelles électriques dans le moteur et l'interrupteur de pression peuvent être la cause de blessures graves ou la mort.</p> <p>Une décharge électrique peut se produire si le compresseur n'est pas utilisé correctement.</p> <p>Des risques de mort ou de blessures graves peuvent survenir si des réparations électriques sont effectuées par des personnes inexpérimentées.</p>	<p>tous les branchements électriques, doivent respecter tous les codes locaux et nationaux.</p> <p>Cet appareil doit être mis à la terre. Connecter le à un disjoncteur mis à la terre si il y en a un de disponible. Si l'appareil s'avère défectueux ou tombe en panne, la mise à la terre offre un trajet de moindre résistance au courant électrique pour réduire le risque de décharges électriques. Ne pas mettre à la terre à une ligne d'alimentation de gaz.</p> <p>Une connexion inappropriée du conducteur de mise à la terre d'équipement peut provoquer un risque d'électrocution. Consulter un électricien qualifié en cas de doute sur la mise à la terre du système.</p> <p>Soyez toujours certain que l'appareil reçoit un voltage correct (+/-5% du voltage inscrit sur la plaque du fabricant). Avant de faire des raccordements électriques, soyez certain que les interrupteurs sont en position d'ARRET (OFF).</p> <p>Garder tous les branchements au sec et au dessus du sol. Ne jamais faire fonctionner le compresseur dans des conditions humides.</p> <p>Toutes réparations ou tout câblage électrique effectués sur le compresseur doivent être effectués par le personnel d'un centre de service autorisé qualifié conformément aux codes d'électricité locaux et nationaux.</p>
<p style="text-align: center;">RISQUE DE BRULURES</p> <div style="text-align: center;">  </div>	<p>Le fait de toucher les surfaces de métal exposées peut causer de graves blessure. Ces surfaces peuvent rester chaudes pendant un certain temps après l'arrêt du chauffage.</p>	<p>Le fait de toucher les surfaces de métal exposées peut causer de graves blessure. Ces surfaces peuvent rester chaudes pendant un certain temps après l'arrêt du chauffage.</p>






IMPORTANTES CONSIGNES DE SECURITE

Hazard	Potential Consequence	Prevention
<p>RISQUES D'INCENDIE ET D'EXPLOSION</p> <div style="text-align: center;">   </div>	<p>Des étincelles électriques dans le moteur et l'interrupteur de pression peuvent être la cause de blessures graves ou la mort.</p> <p>Des blessures graves peuvent survenir si la prise ou la sortie d'air du chauffage est obstruée..</p> <p>Des blessures graves, voire la mort, peuvent survenir si le bon carburant n'est pas utilisé ou si le chauffage fonctionne durant le ravitaillement.</p> <p>Toujours placer le chauffage sur une surface stable et plane à l'écart des enfants et des animaux.</p>	<p>N'utiliser ce chauffage que dans un endroit bien ventilé libre de vapeurs inflammables, de poussière combustible ou de toute autre matière combustible.</p> <p>Ne jamais placer d'objets devant la prise d'air (à l'arrière) ou la sortie d'air(à l'avant). N'utiliser jamais de système de canalisation d'air à l'avant ou à l'arrière du chauffage. Eloigner du chauffage toutes les matières combustibles.</p> <p>NE JAMAIS utiliser de carburants tels que l'essence, le benzène, les diluants de peinture ou autres composés d'huile dans ce chauffage (RISQUE D'INCENDIE OU D'EXPLOSION) NE JAMAIS bouger ou manipuler le chauffage lorsqu'il est encore chaud.</p> <p>NE JAMAIS transporter le chauffage avec du carburant dans son réservoir.</p> <p>L'entreposage de carburant en gros doit être maintenu à une distance d'un minimum de 25 pieds (7m60) des chauffages, torches, groupes électrogènes portables ou toutes autres sources d'inflammation. Tout entreposage de carburant doit être conforme aux réglementations des autorités locales, d'état ou fédérale ayant juridiction.</p> <p>NE JAMAIS bouger ou manipuler le chauffage lorsqu'il est encore chaud.</p> <p>IlLe chauffage peut démarrer à tout moment s'il est équipé d'un thermostat.</p> <p>TOUJOURS placer le chauffage sur une surface stable et plane. TOUJOURS maintenir les enfants et les animaux à l'écart du chauffage</p>

IMPORTANTES CONSIGNES DE SECURITE

Hazard	Potential Consequence	Prevention
<p style="text-align: center;">RISQUE DE PROBLEME RESPIRATOIRE</p> <div style="text-align: center;">  </div>	<p>Des blessures graves, voire la mort peuvent survenir si une bonne ventilation n'est pas fournie selon les consignes de ce manuel.</p>	<p>Ce chauffage est un chauffage au kérosène à air pulsé et à feu direct. Il est principalement conçu pour fournir un chauffage temporaire pour les bâtiments en construction, sous transformations ou en réparations. Chauffage à feu direct signifie que tous les produits de combustion de l'appareil de chauffage entrent dans l'espace chauffé. Cet appareil a une efficacité de combustion de 98 %, mais produit une petite quantité d'oxyde de carbone. L'oxyde de carbone est toxique. Les humains peuvent tolérer de petites quantités d'oxyde de carbone et des précautions doivent être prises pour fournir une ventilation appropriée. Le fait de ne pas fournir une ventilation appropriée selon ce manuel peut aboutir à la mort.</p> <p>Intoxication à l'oxyde de carbone: Les premiers signes de l'intoxication à l'oxyde de carbone ressemblent aux symptômes de la grippe tels que des maux de tête, des étourdissements, et/ou la nausée. Il est possible que votre chauffage ne marche pas correctement si vous éprouvez ces symptômes.</p> <p>Risque de pollution de l'air intérieur. Utiliser le radiateur seulement dans un endroit bien ventilé. Fournir une ouverture sur de l'air frais d'au moins 2800 cm² (3 pi²) pour chaque 100 000 BTU/h Fournir de l'air frais supplémentaire si plus d'un radiateur est utilisé.</p> <p>Les personnes avec des problèmes de respiration doivent consulter un médecin avant d'utiliser ce chauffage.</p> <p>Intoxication à l'oxyde de carbone: Les premiers signes de l'intoxication à l'oxyde de carbone ressemblent aux symptômes de la grippe tels que des maux de tête, des étourdissements, et/ou la nausée. Il est possible que votre chauffage ne marche pas correctement si vous éprouvez ces symptômes.</p> <p>Obtenir de l'air frais immédiatement ! Faire entretenir le chauffage. Certaines personnes sont plus atteintes par l'oxyde de carbone que les autres. Ceci inclut les femmes enceintes, les personnes avec des problèmes de cœur ou de poumon, celles sous l'influence d'alcool ou en haute altitude.</p> <p>Ne jamais utiliser ce chauffage dans les espaces d'habitation ou dans les pièces où l'on dort.</p>

IMPORTANTES CONSIGNES DE SECURITE

-  **RISQUE D'INCENDIE, DE BRÛLURE, D'INHALATION ET D'EXPLOSION. GARDER LES COMBUSTIBLES SOLIDES, COMME LES MATÉRIAUX DE CONSTRUCTION, LE PAPIER OU LE CARTON, À UNE DISTANCE SÉCURITAIRE DU RADIATEUR, SELON LES RECOMMANDATIONS DE CE MANUEL. NE JAMAIS UTILISER LE RADIATEUR DANS DES ENDROITS QUI CONTIENNENT OU POURRAIENT CONTENIR DES MATIÈRES COMBUSTIBLES VOLATILES OU EN SUSPENSION DANS L'AIR, OU ENCORE DES PRODUITS COMME DE L'ESSENCE, DES SOLVANTS, DES DILUANTS À PEINTURE, DES PARTICULES DE POUSSIÈRE OU DES PRODUITS CHIMIQUES INCONNUS.**
-  **NE PAS UTILISER CE RADIATEUR AVANT D'AVOIR LU ET ENTIÈREMENT COMPRIS CES DIRECTIVES DE SÉCURITÉ ET D'UTILISATION. LE FAIT DE NÉGLIGER DE RESPECTER LES PRÉCAUTIONS ET LES INSTRUCTIONS FOURNIES AVEC CE RADIATEUR PEUT ENTRAÎNER LA MORT, DES BLESSURES GRAVES, DES PERTES OU DES DOMMAGES MATÉRIELS SUITE AUX RISQUES D'INCENDIE, D'EXPLOSION, DE BRÛLURES, D'ASPHYXIE OU D'EMPOISONNEMENT AU MONOXYDE DE CARBONE. SEULES DES PERSONNES APTES À LIRE ET À COMPRENDRE CES INSTRUCTIONS DOIVENT UTILISER OU ENTRETENIR CE RADIATEUR.**
-  **RÉSIDENTS DU MASSACHUSETTS : LA LOI DE L'ÉTAT DU MASSACHUSETTS INTERDIT L'UTILISATION DE CE RADIATEUR DANS TOUT ÉDIFICE UTILISÉ EN TOUT OU EN PARTIE POUR L'HABITATION HUMAINE. L'UTILISATION DE CE DISPOSITIF DE CHAUFFAGE AU MASSACHUSETTS EXIGE UN PERMIS DU SERVICE DES INCENDIES (M.G.L.C. 148. SECTION 10A).**
-  **LE CODE DES INCENDIES DE LA VILLE DE NEW YORK INTERDIT L'ENTREPOSAGE, LA MANIPULATION ET L'UTILISATION D'APPAREILS DE CHAUFFAGE AU KÉROSÈNE POUR LE CHAUFFAGE DES LOCAUX. TOUTE PERSONNE EN VIOLATION DE CETTE LOI PEUT ÊTRE PUNIE PAR UNE AMENDE JUSQU'À \$10,000 ET UNE PEINE DE PRISON QUI PEUT ATTEINDRE 6 MOIS.**
-  **ADVERTISSEMENT: NE JAMAIS LAISSER UN CHAUFFAGE À AIR PULSÉ SANS SURVEILLANCE LORSQU'IL BRÛLE OU LORSQU'IL EST BRANCHE À UNE SOURCE D'ALIMENTATION.**

 **!GARDER CES INSTRUCTIONS!** 



**LES PAGES SUIVANTES CONTIENNENT LES
CONSIGNES D'UTILISATION ET D'ENTRETIEN.
NE TENTER PAS DE FAIRE FONCTIONNER CE
COMPRESSEUR D'AIR AVANT D'AVOIR LU ET
COMPRIS TOUTES LES PRECAUTIONS ET
CONSIGNES DE SECURITE CONTENUES DANS
CE MANUEL.**

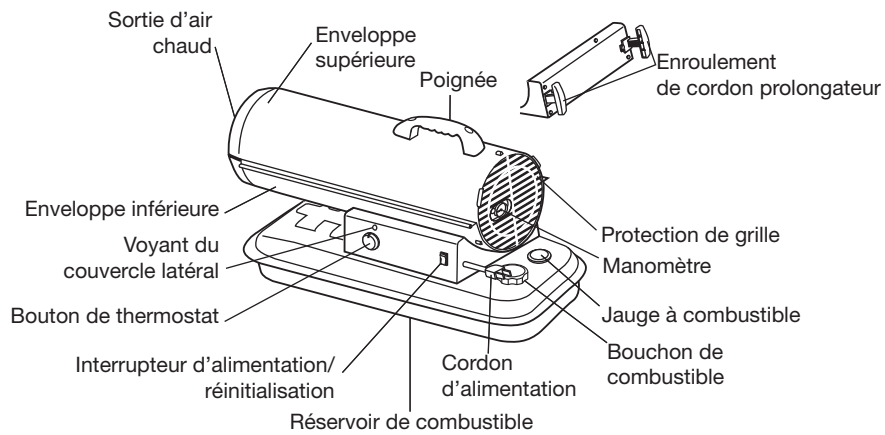
**L'UTILISATION INAPPROPRIEE DE CET
APPAREIL PEUT CAUSER DES BLESSURES
SERIEUSES!!**

**NE PAS ALTERER OU MODIFIER CET
EQUIPEMENT EN AUCUNE MANIERE!**

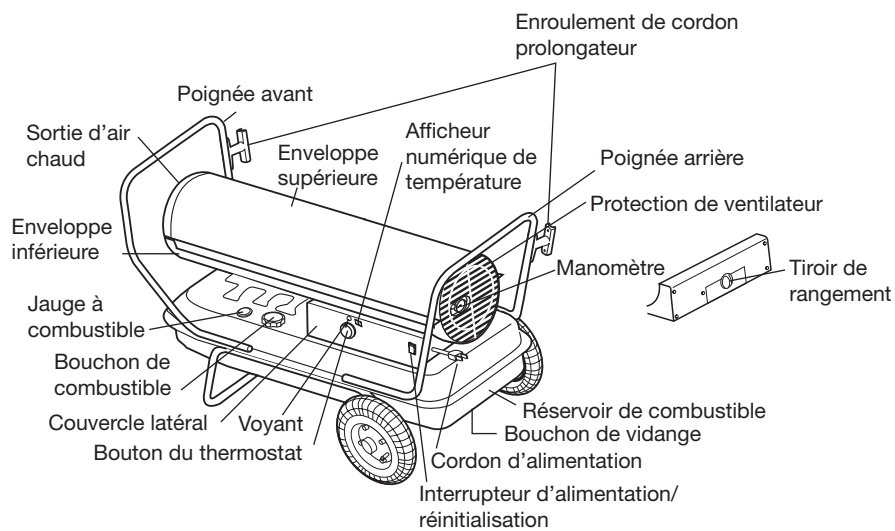
**NE JAMAIS LAISSER UN CHAUFFAGE À AIR PULSÉ SANS
SURVEILLANCE LORSQU'IL BRULE OU LORSQU'IL EST BRANCHE A
UNE SOURCE D'ALIMENTATION.**

CARACTÉRISTIQUES

Modèles MH-0070-0M10 illustrés



Modèles MH-0125-0M10, MH-0175-0M10, MH-0215-0M10 illustrés




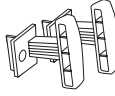
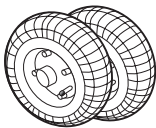
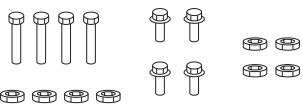
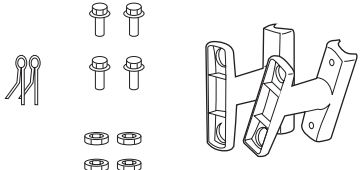
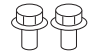


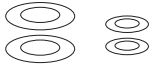
SPÉCIFICATIONS

Modèle	MH-0070-0M10	MH-0125-0M10	MH-0175-0M10	MH-0215-0M10
Puissance de sortie (BTU/heure)	70,000	125,000	175,000	215,000
Consommation de carburant	0.53	.95	1.34	1.63
Capacité du réservoir de carburant (gallons US)	5.0	10.0	13.0	13.0
Pression de la pompe	4.0	5.0	7.5	9.0
Volt/hertz	120VAC/ 60 Hz	120VAC/ 60 Hz	120VAC/ 60 Hz	120VAC/ 60 Hz
Ampérage	1.5	2.3	2.7	2.8
Phase	Monophasé	Monophasé	Monophasé	Monophasé
Taille (Longueur x largeur x hauteur)	30" x 13" x 15"	37" x 22" x 25"	42" x 24" x 26"	42" x 24" x 26"
Poids net (livres)	28	51	58	61

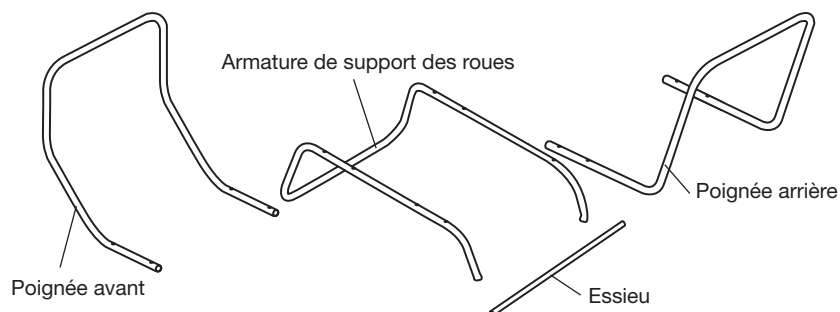
Distance minimum des combustibles				
	MH-0070-0M10	MH-0125-0M10	MH-0175-0M10	MH-0215-0M10
Haut	4 ft.	4 ft.	4 ft.	4 ft.
Cotés	4 ft.	4 ft.	4 ft.	4 ft.
Avant	8 ft.	8 ft.	8 ft.	8 ft.

ASSEMBLAGE

ELÉMENTS DE QUINCAILLERIE

 Poignée	 Enrouleurs de cordon	 Roues	 Éléments de l'armature		 Goupilles fendues, vis et écrous (4 de chaque) et enrouleurs de cordon
 Kit d'éléments de quincaillerie	 Capuchons de roue	 Manchons	 Rondelles (L) et (S)		

ELÉMENTS D'ARMATURE



ASSEMBLAGE

Note: Les modèles différents exigent des assemblages différents.

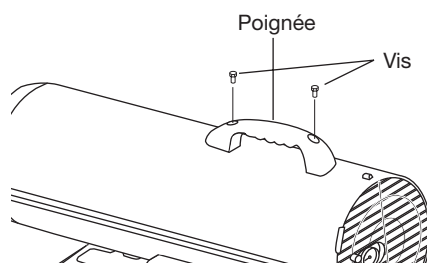
Note : Outils nécessaires pour les modèles MH-0070-0M10 : tournevis à pointe cruciforme (tournevis Phillips) moyen.

Note : Outils nécessaires pour les modèles MH-0125_0175_0215-0M10 : tournevis à pointe cruciforme moyen, clé à fourche ou clé à molette, pinces à bec effilé.

ASSEMBLAGE POUR LE MODELE MH-0070-0M10

ASSEMBLAGE DE LA POIGNÉE

1. Aligner les trous dans la coque supérieure avec les 2 trous dans la poignée comme illustré.
2. Insérer et serrer les vis solidement avec le tournevis.



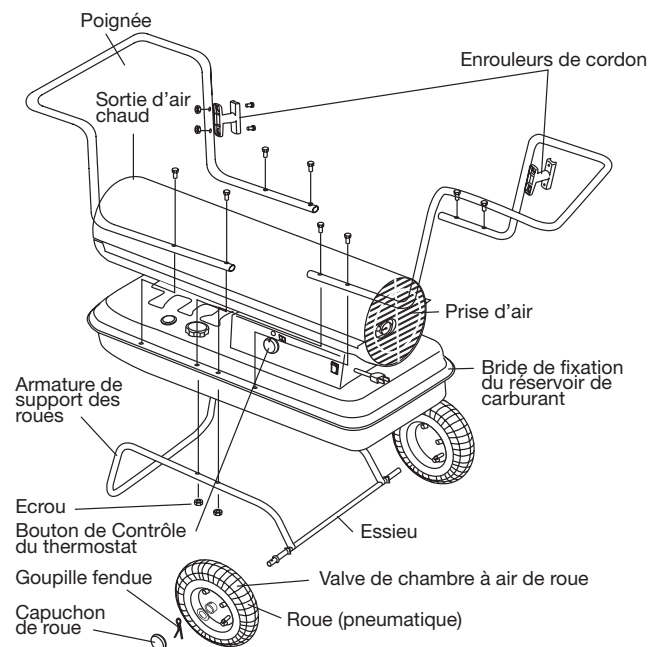
ASSEMBLAGE DE L'ENROULEUR DE CORDON

1. Insérer les attaches de l'enrouleur de cordon dans les rainures du support de coque en alignant les trous sur l'enrouleur de cordon avec ceux du panneau latéral.
2. Insérer et serrer les vis solidement avec le tournevis.

ASSEMBLAGE POUR LES MODÈLES MH-0125_0175_0215-0M10

ASSEMBLAGE DE L'ARMATURE ET DES ROUES

1. Faire glisser l'essieu par les trous dans l'armature de support des roues. Faire glisser les manchons de roues et la rondelle plate sur chaque bout de l'essieu..
2. Faire glisser les roues sur chaque essieu en s'assurant que la tige de valve (si pneumatique) est vers l'extérieur.
3. Faire glisser les rondelles plates sur l'essieu en dépassant le petit trou. Insérer la goupille fendue dans le trou de l'essieu et plier les jambes de la goupille avec les pinces à bec effilé pour sécuriser.
4. Encastrer les capuchons de roues sur les grandes rondelles.
5. Placer le chauffage sur l'armature assemblée en s'assurant que le bout prise d'air est à côté des roues et que les trous de montage sur la bride de fixation du réservoir du chauffage s'alignent avec les trous dans l'armature..
6. Prendre la poignée avant et aligner les trous de montage avec les trous correspondants sur la bride de fixation du réservoir/armature des roues. Faire glisser une vis à travers les trous et attacher un écrou sans le serrer. Répéter pour les trois autres trous, puis serrer les 4 vis et écrous solidement.
7. Répéter ces étapes avec la poignée arrière.



ASSEMBLAGE DE L'ENROULEUR DE CORDON

ATTENTION: NE PAS UTILISER LE CHAUFFAGE SANS QUE LE RESERVOIR SOIT COMPLÈTEMENT MONTÉ SUR L'ARMATURE DE SUPPORT.

1. Aligner les trous dans l'enrouleur de cordon avec les trous correspondants dans la poignée avant. Insérer les vis à travers les trous, attacher les écrous et serrer.
2. Répéter ces étapes avec la poignée arrière. Ne pas faire fonctionner le chauffage sans que le réservoir soit complètement monté sur l'armature de support.

AVERTISSEMENT: NE JAMAIS LAISSER UN CHAUFFAGE À AIR PULSÉ SANS SURVEILLANCE LORSQU'IL BRULE OU LORSQU'IL EST BRANCHE A UNE SOURCE D'ALIMENTATION.

FONCTIONNEMENT

APPROVISIONNEMENT EN CARBURANT DU CHAUFFAGE

ATTENTION: NE JAMAIS REMPLIR LE RÉSERVOIR DE CARBURANT À L'INTÉRIEUR. TOUJOURS REMPLIR LE RÉSERVOIR À L'EXTÉRIEUR. S'ASSURER QUE LE CHAUFFAGE EST SUR UNE SURFACE PLANE LORS DE L'APPROVISIONNEMENT ET NE JAMAIS TROP REMPLIR LE RÉSERVOIR DE CARBURANT.

C'est toujours une bonne idée de démarrer le chauffage pour la première fois à l'extérieur. Ceci permet de brûler les huiles utilisées dans le procédé de fabrication dans un environnement sans danger. Ce fonctionnement initial doit durer au moins 10 minutes.

KEROSENE (#1-K)

Pour une performance optimale de ce chauffage, il est fortement suggéré que du kérosène #1-K soit utilisé. Le kérosène #1-K a été raffiné pour pratiquement éliminer les substances polluantes, comme le soufre qui peut causer une odeur d'œuf pourri pendant l'opération de l'appareil de chauffage. Cependant, du mazout #1 ou #2 (du carburant diesel), du carburant JP-8 ou du Jet A peuvent aussi être utilisés si du kérosène #1-K n'est pas disponible. Savoir que ces carburants ne brûlent pas aussi proprement que le kérosène #1-K et que des précautions doivent être prises pour fournir plus de ventilation d'air frais pour se débarrasser des substances polluantes supplémentaires qui peuvent être ajoutées à l'espace chauffé.

AVERTISSEMENT: NE PAS UTILISER BIODIESEL COMME CARBURANT SERA ENDOMMAGER JOINTS ET LE FILTRE DE VOTRE APPAREIL DE CHAUFFAGE. CERTIFIÉ PAR CSA À UTILISER AVEC LE KÉROSÈNE 1-K, N ° 1 ET N ° 2 DIESEL, CARBURANT JP8/JET A, NO 1 ET NO 2 DE MAZOUT.

NOTE: Le kérosène ne doit être entreposé que dans un récipient bleu qui est nettement marqué « Kérosène ». Ne jamais entreposer le kérosène dans un récipient rouge. Le rouge est associé avec l'essence.

- Ne JAMAIS entreposer le kérosène dans un espace habité. Le kérosène doit être entreposé dans un endroit bien ventilé en dehors de l'espace d'habitation.
- N'utiliser JAMAIS de carburant tels que l'essence, le benzène, l'alcool, l'essence sans plomb, le carburant pour réchaud, les diluants de peintures, ou tout autre composants d'huile dans ce chauffage (Ce sont des carburants volatils qui peuvent être la cause d'un incendie ou d'une explosion).
- Ne JAMAIS entreposer le kérosène dans un endroit où il est exposé directement à la chaleur du soleil ou près d'une source de chaleur.
- Ne JAMAIS utiliser de kérosène qui a été entreposé d'une saison à l'autre. Le kérosène se dégrade au cours du temps. Du vieux kérosène ne brûlera pas correctement dans ce chauffage.
- Utiliser du kérosène #1-K dans ce chauffage. Le mazout #1, #2 (le carburant diesel), les carburants JP-8 ou Jet A sont des remplacements adéquats.

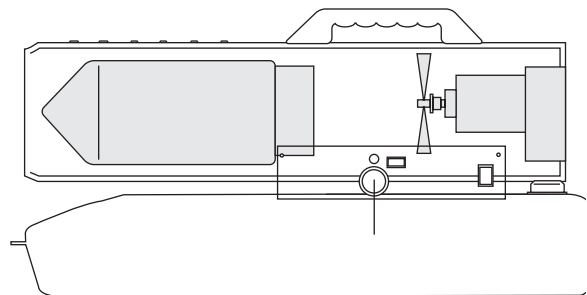
AVERTISSEMENT: NE JAMAIS LAISSER UN CHAUFFAGE À AIR PULSÉ SANS SURVEILLANCE LORSQU'IL BRÛLE OU LORSQU'IL EST BRANCHE A UNE SOURCE D'ALIMENTATION.

THÉORIE DE FONCTIONNEMENT

Système de carburant: Ce chauffage est équipé d'une pompe à air qui fonctionne à partir du moteur électrique. La pompe force l'air à travers la canalisation d'air raccordée au réservoir de carburant, tirant du carburant vers la gicleur dans la tête du brûleur. L'air passe aussi par la gicleur où il est mélangé avec le carburant et est vaporisé en une brume fine dans la chambre de combustion. *s sprayed into the combustion chamber in a fine mist.*

Allumage Rapide: Un transformateur envoie de la haute tension à une bougie à 2 fourches. L'étincelle enflamme le mélange carburant/air alors qu'il est vaporisé dans la chambre de combustion.

Système d'air: Un ventilateur est allumé par le moteur surpuissant ce qui force l'air à l'intérieur et autour de la chambre de combustion où il est surchauffé et ressort ensuite à l'avant de la chambre de combustion.



FONCTIONNEMENT

Contrôle Limiteur de Température: Ce chauffage est équipé d'un limiteur de température conçu pour mettre le moteur à l'arrêt si la température interne monte à un niveau dangereux. Si ce dispositif s'active et éteint votre chauffage, il sera peut être nécessaire de le faire entretenir. Le chauffage peut être remis en marche une fois que la température retombe sous le niveau préréglé.

Protection de Système Electrique: Le système électrique du chauffage est protégé par un disjoncteur qui protège les composants du système contre des dégâts. Si le chauffage arrête de marcher, vérifier d'abord le fusible et le remplacer si nécessaire.

Détecteur de Flamme: Le chauffage utilise une cellule photo-électrique pour "voir" la flamme dans la chambre de combustion. Si la flamme s'éteint, le détecteur arrête le courant électrique et le chauffage se met à l'arrêt.

VENTILATION

Risque de pollution d'air intérieur: N'utiliser le chauffage que dans des espaces bien ventilés. Toujours prévoir une ouverture d'air frais dans l'espace chauffé d'au moins 3 pieds carrés (2,800 cm²) pour chaque 100,000 BTU/heure de chauffage. Prévoir une ouverture plus grande si plus d'appareils de chauffage sont utilisés. Par exemple, un chauffage MH-0215-0M10 nécessite :

- Une porte de garage à deux voitures ouverte de 6 pouces (15cm) ou
- un garage pour une voiture ouvert de 9 pouces (23cm) ou
- deux fenêtres de trente deux pouces (81cm) ouvertes de quinze pouces (38cm).

POUR DÉMARRER LE CHAUFFAGE :

1. Remplir le réservoir avec du kérosène jusqu'à ce que la jauge de carburant indique le "F".
2. S'assurer que le bouchon du réservoir de carburant est bien fermé.
3. Brancher le cordon d'alimentation dans une rallonge électrique tri filaire avec mise à la terre et brancher la rallonge dans une prise de courant à trois branches de 120 volts avec mise à la terre.

La rallonge électrique doit mesurer au moins 1,80 m (6 pieds),

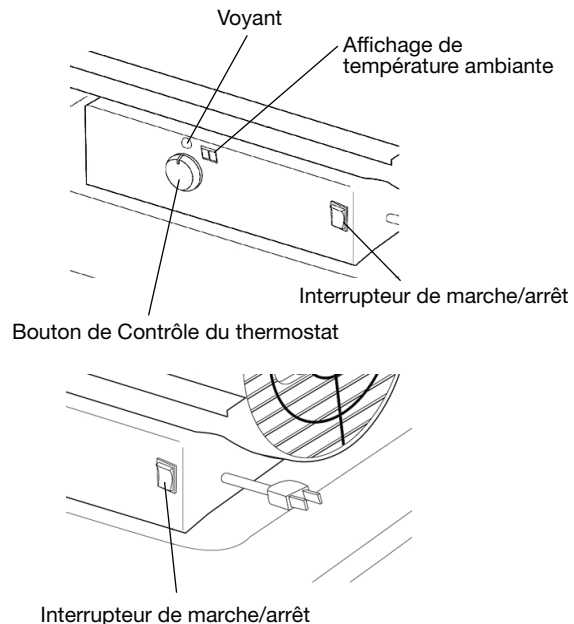
Minimum exigences des dimensions de section de la rallonge électrique sont les suivantes:

- De 6 à 10 pieds de long (1,8 à 3 m), utiliser un cordon de 18 AWG.
 - De 11 à 100 pieds de long (3,4 à 30,4 m), utiliser un cordon de 16 AWG.
 - De 101 à 200 pieds de long (30,8 à 61 m), utiliser un cordon de 14 AWG.
4. Régler le bouton de contrôle du thermostat à la position désirée de température. Le domaine de réglage est de 40° F à 110° F (4° à 43° C). Pousser l'interrupteur de marche/arrêt à la position de marche (ON). Le voyant indicateur d'alimentation et l'affichage de température ambiante (MH-0125_0175_0215-0M10 seulement) s'allument et l'appareil de chauffage démarre.

NOTE: L'affichage de température ambiante (MH-0125_0175_0215-0M10 seulement) indique l'information suivante :

- Lorsque la température est de moins 0°F (-18°C), l'affichage affiche « BAS ».
- Lorsque la température est au dessus de 99°F (37°C), l'affichage affiche « HAUT »
- Entre 0°F et 99°F (-18°C et 37°C), l'affichage montre la température réelle.

Si le chauffage ne s'allume pas, le thermostat est peut être réglé à une température trop basse. Tourner le bouton de contrôle du thermostat pour sélectionner une température de consigne plus élevée jusqu'à ce que le chauffage démarre. Si le chauffage ne démarre toujours pas, appuyer sur l'interrupteur de marche/arrêt et placer-le à la position d'arrêt (OFF), puis le remettre à la position de marche (ON). Si le chauffage ne démarre toujours pas, voir le Guide de Dépannage.



FUNCTIONNEMENT

⚠ ADVERTISSEMENT: NE JAMAIS LAISSER UN CHAUFFAGE À AIR PULSÉ SANS SURVEILLANCE LORSQU'IL BRULE OU LORSQU'IL EST BRANCHE A UNE SOURCE D'ALIMENTATION.

NOTE: Les composants électriques de ce chauffage sont protégés par un fusible monté sur le circuit de contrôle PCB. Si le chauffage ne démarre pas, vérifier d'abord ce fusible et le remplacer si nécessaire. Vérifier également la source d'alimentation afin de s'assurer qu'une bonne tension est fournie au chauffage.

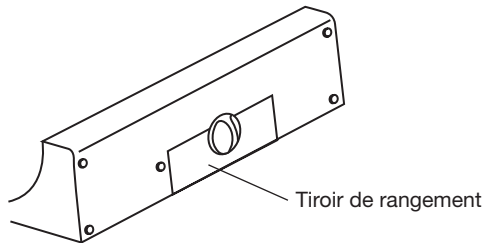
POUR METTRE L'APPAREIL À L'ARRÊT

Placer simplement l'interrupteur de marche/arrêt à la position d'arrêt (OFF) et débrancher le cordon d'alimentation.

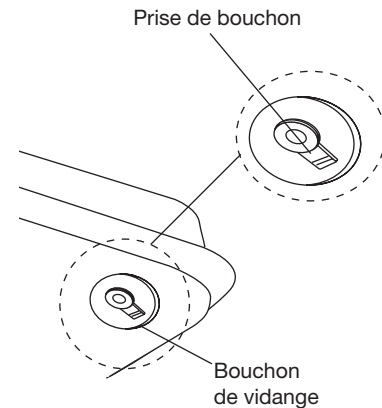
NOTE: L'utilisation de carburant diesel peut être la cause d'un excès de production de suie.

POUR REDÉMARRER LE CHAUFFAGE

1. Attendre 10 secondes après l'arrêt du chauffage.
2. Placer l'interrupteur de marche/arrêt jusqu'à la position de marche (ON)
3. Bien suivre toutes les précautions de démarrage.



**MH-0125-0M10 / MH-0175-0M10 /
MH-0215-0M10 SEULEMENT**

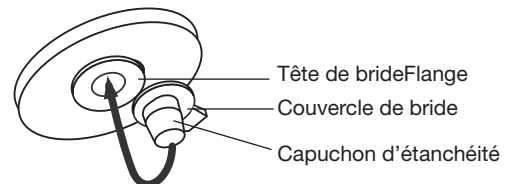
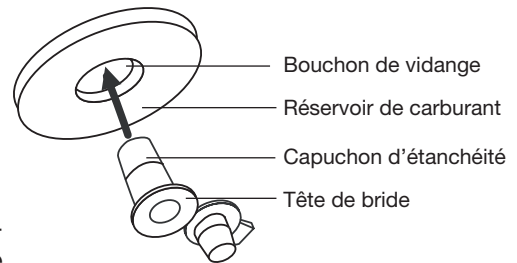


ENTREPOSAGE À LONG TERME

VIDANGER LE RESERVOIR DE CARBURANT

Pour le modèle MH-0070-0M10, vidanger le carburant à travers l'ouverture du bouchon de carburant. Pour les modèles MH-0125_0175_0215-0M10, vidanger le carburant par le bouchon de vidange au fond du réservoir de carburant.

1. Pour retirer le bouchon de vidange (MH-0125_0175_0215-0M10), tirer la prise du bouchon vers le bas et retirer le capuchon d'étanchéité de l'orifice de vidange dans le réservoir.
2. En utilisant une petite quantité de kérosène, rincer et faire tourner le kérosène à l'intérieur du réservoir de carburant. Vider le réservoir complètement.
3. Pousser complètement le capuchon d'étanchéité dans l'orifice de vidange et bien fixer en poussant complètement la prise du bouchon dans le capuchon d'étanchéité.



IMPORTANT : Ne jamais entreposer le kérosène restant pendant l'été.
L'utilisation de vieux carburant peut endommager votre chauffage.

Entreposer le chauffage dans un endroit sec et bien ventilé. S'assurer que l'endroit d'entreposage est libre de poussières et de vapeurs corrosives. Ranger le chauffage dans son emballage de transport. Garder le manuel de l'opérateur dans un endroit facilement accessible.

⚠ ADVERTISSEMENT: NE JAMAIS LAISSER UN CHAUFFAGE À AIR PULSÉ SANS SURVEILLANCE LORSQU'IL BRULE OU LORSQU'IL EST BRANCHE A UNE SOURCE D'ALIMENTATION.

ENTRETIEN

AVERTISSEMENT: NE JAMAIS ENTREtenir LE CHAUFFAGE LORSQU'IL EST BRANCHE OU LORSQU'IL EST CHAUD!

N'utiliser que des pièces de rechange d'origine. L'utilisation de pièces autres que d'origine peut être la cause de conditions de fonctionnement dangereuses et annulera votre garantie.

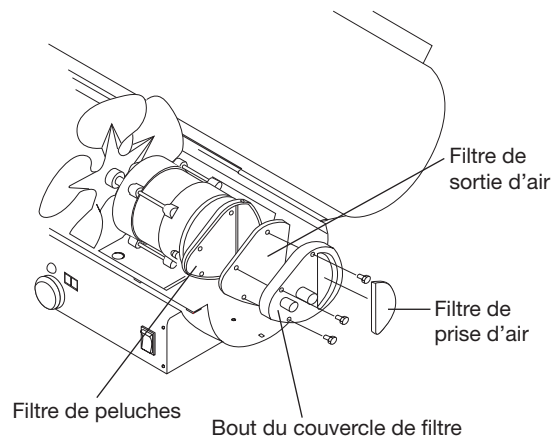
Nous suggérons un calendrier d'entretien tel qu'il suit:

RÉSERVOIR DE CARBURANT:

Effectuer une vidange toutes les 200 heures d'opération ou au besoin. Ne pas utiliser d'eau pour vidanger le réservoir. N'utiliser que du kérosène #1-K frais.

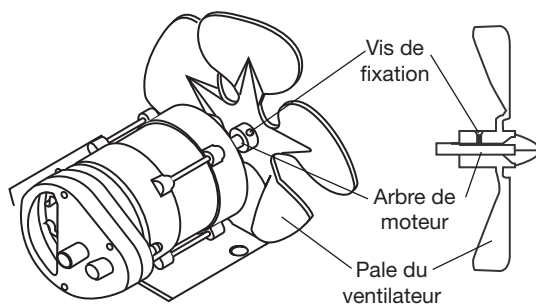
FILTRES À AIR:

Le filtre de prise d'air doit être remplacé ou lavé avec du savon et de l'eau, puis séché à fond toutes les 500 heures d'opération ou au besoin selon les conditions. Les filtres de sortie et de peluches doivent être remplacés toutes les 500 heures d'opération ou au besoin selon les conditions.



PALES DE VENTILATEUR:

Les pales doivent être nettoyées au moins une fois par saison de chauffage selon les conditions. Retirer toute la poussière et les saletés accumulées avec un chiffon humide en faisant attention de ne pas plier des pales du ventilateur. S'assurer que les pales du ventilateur sont sèches avant de redémarrer le chauffage.

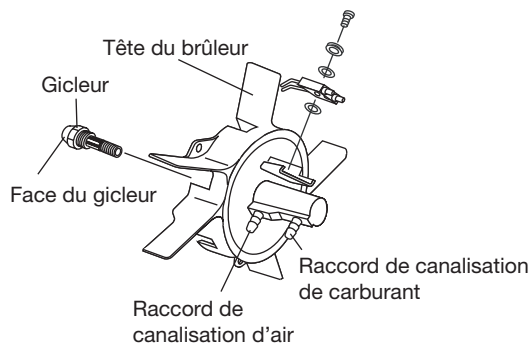
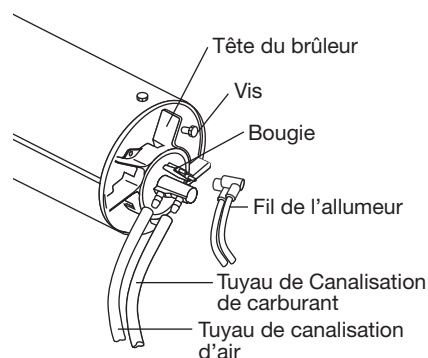


UN MAUVAIS ENTRETIEN PEUT ENTRAÎNER UNE MAUVAISE COMBUSTION ET LA PRODUCTION DE SUIE.

GICLEURS:

Les gicleurs doivent être nettoyés ou remplacés au moins une fois par saison de chauffage. Du carburant pollué peut être la cause d'un remplacement immédiat.

Pour nettoyer les saletés du gicleur, faire souffler de l'air comprimé par l'avant du gicleur. Il sera peut être nécessaire de faire tremper le gicleur dans du kérosène #1-K propre afin d'aider à détacher les particules.

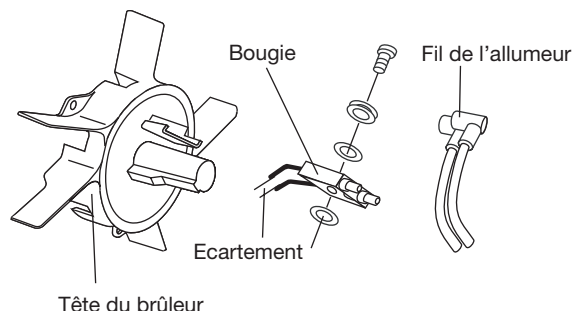


er

ENTRETIEN

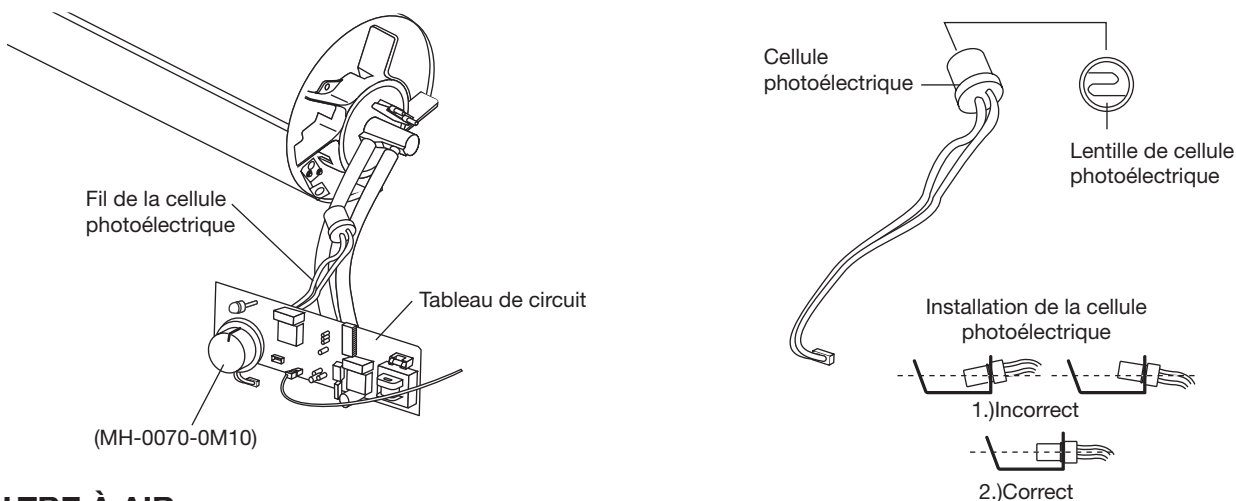
BOUGIE:

Nettoyer et régler l'écartement toutes les 600 heures d'opération ou remplacer au besoin. Nettoyer les bornes avec une brosse métallique après avoir retiré la bougie. Régler l'écartement des bornes à 0.140 pouces (3.5mm).



CELLULE PHOTO-ÉLECTRIQUE:

La cellule photo-électrique doit être nettoyée au moins une fois par saison de chauffage ou plus souvent selon les conditions. Utiliser une tige de coton trempée dans de l'eau ou de l'alcool pour nettoyer la lentille de la cellule photo-électrique. Noter la bonne position de la cellule photo-électrique comme illustré..

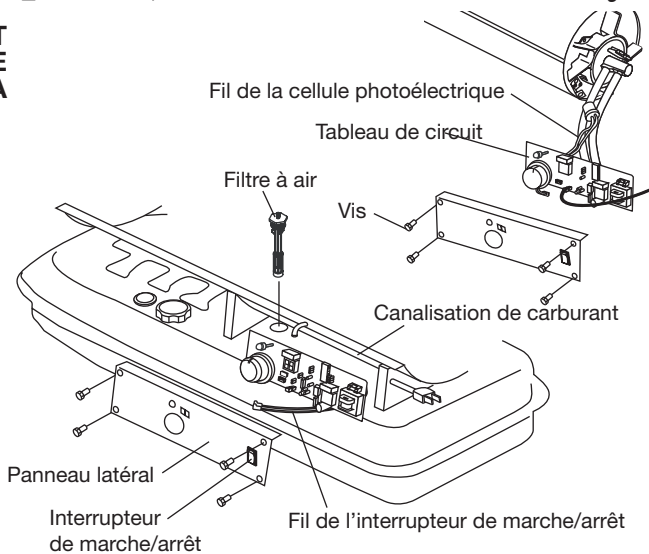


FILTRE À AIR

Le filtre à air doit être nettoyé au moins deux fois par saison de chauffage. Le nettoyer en le rinçant dans du kérosène #1-K. Il peut être nécessaire d'effectuer ce nettoyage immédiatement en cas d'utilisation de carburant pollué.

NOTE: Pour retirer le filtre du modèle MH-0070-0M10, tourner le filtre de 90° dans le sens des aiguilles d'une montre. Pour retirer le filtre des modèles MH-0125_0175_0215-0M10, le tourner de 90° dans le sens contraire des aiguilles d'une montre.

UN MAUVAIS ENTRETIEN PEUT ENTRAÎNER UNE MAUVAISE COMBUSTION ET LA PRODUCTION DE SUIE.



ENTRETIEN

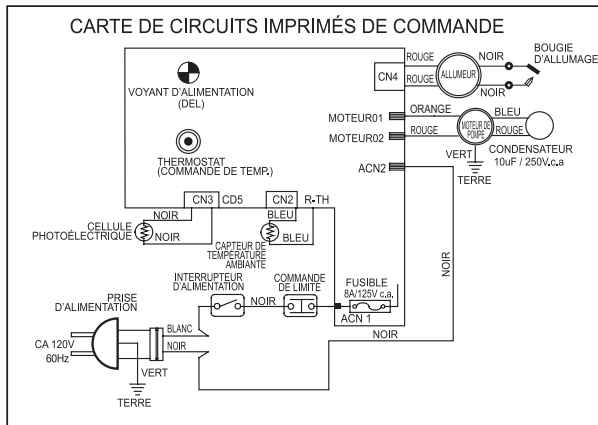
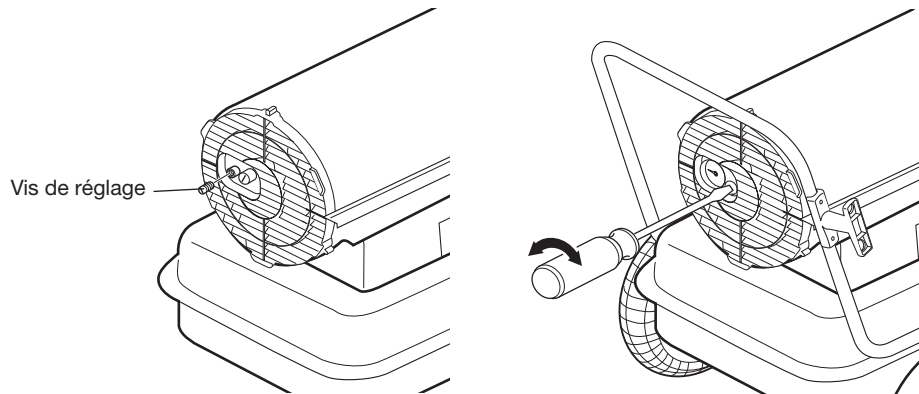
REGLAGE DE LA PRESSION DE POMPE

Lorsque le chauffage fonctionne, tourner la soupape de décharge dans le sens des aiguilles d'une montre pour augmenter la pression et dans le sens inverse des aiguilles d'une montre pour la baisser. Utiliser un tournevis à lame plate pour tourner la soupape. Une pression de pompe correcte est comme suit :

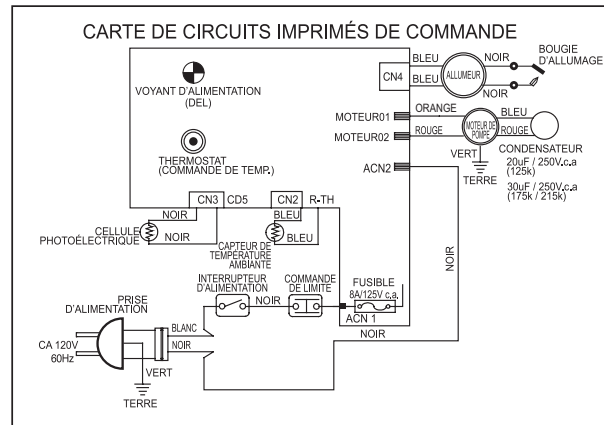
Modèle#	Pression de la pompe
MH-0070-0M10	4.0 PSI
MH-0125-0M10	5.0 PSI
MH-0175-0M10	7.5 PSI
MH-0215-0M10	9.0 PSI

Tolérance $\pm 10\%$

Pour la meilleure mesure de pression, tester avec un réservoir de carburant plein. Une pression optimale survient lorsque l'embout conique est rouge cerise et qu'il n'y a aucune flammes s'étendant du chauffage.



MH-0070-0M10



MH-0125-0M10, MH-0175-0M10, MH-0215-0M10

DÉPANNAGE

SYMPTÔME

Le chauffage s'allume mais le circuit de contrôle principal PCB met le moteur à l'arrêt après une courte période de temps. Le voyant tremblote et l'affichage par diodes électroluminescentes affiche "E1".

CAUSE PROBABLE

1. Pression de pompe incorrecte
2. Filtre de Prise d'air, de sortie d'air ou de peluches sale
3. Filtre à carburant sale
4. Gicleur sale
5. La lentille de cellule photoélectrique est sale
6. La cellule photoélectrique n'est pas installée correctement.
7. La cellule photoélectrique est défectueuse.
8. Mauvais raccord électrique entre le circuit de contrôle principal PCB et la cellule photoélectrique.

REMÈDE

1. Régler la pression de pompe
2. Nettoyer/remplacer le filtre à air
3. Nettoyer/remplacer le filtre à carburant
4. Nettoyer/remplacer le gicleur
5. Nettoyer/remplacer la cellule photoélectrique
6. Régler la position de la cellule photoélectrique
7. Remplacer la cellule photoélectrique
8. Vérifier les connexions du circuit Voir le schéma des connexions

Le chauffage ne fonctionne pas ou le moteur ne marche que pendant une courte période de temps. Le voyant tremblote et l'affichage par diodes électroluminescentes affiche "E1".

1. Pas de kérosène dans le réservoir de carburant
2. Pression de pompe incorrecte
3. Bougie corrodée ou écartement de bougie incorrect
4. Filtre à carburant sale
5. Gicleur sale
6. Humidité dans le carburant/réservoir de carburant
7. Raccord électrique incorrect entre le transformateur et le tableau de circuit
8. Fil de l'allumeur n'est pas raccordé à la bougie
9. Allumeur défectueux

1. Remplir le réservoir avec du kérosène frais
2. Régler la pression de pompe
3. Nettoyer/remplacer la bougie
4. Nettoyer/remplacer le filtre à carburant
5. Nettoyer/remplacer le gicleur
6. Rincer le réservoir de carburant avec du kérosène frais et propre
7. Inspecter tous les raccords électriques. Voir le schéma des connexions.
8. Rattacher le fil de l'allumeur à la bougie.
9. Remplacer l'allumeur

Le ventilateur ne fonctionne pas lorsque le chauffage est branché et lorsque l'interrupteur de marche/arrêt est en position de marche (ON). Le voyant tremblote et l'affichage par diodes électroluminescentes affiche "E1" et "E2".

1. Le thermostat est réglé à une position trop basse
2. Connexion électrique rompue entre le moteur et le circuit de contrôle principal PCB

1. Le thermostat est réglé à une position trop basse
2. Connexion électrique rompue entre le moteur et le circuit de contrôle principal PCB

Le voyant tremblote et l'affichage par diodes électroluminescentes affiche "E3"

1. L'interrupteur du thermostat est défectueux

1. Remplacer le bouton du thermostat. Voir le schéma des connexions.

Mauvaise combustion

1. Les flammes s'étendent au-delà du chauffage
2. Rendement de chaleur bas

1. Réduire la pression de pompe
2. Augmenter la pression de pompe

Le chauffage ne s'allume pas et le voyant n'est pas allumé

1. Le détecteur de limite de température a surchauffé
2. Pas de courant électrique
3. Fusible grillé
4. Mauvais raccord électrique entre le détecteur de limite de température et le tableau de circuit de contrôle

1. Pousser l'interrupteur de marche/arrêt à la position d'arrêt (OFF) et permettre au chauffage de refroidir pendant 10 minutes. Repousser l'interrupteur de marche/arrêt à la position de marche (ON).
2. Inspecter le cordon d'alimentation et la rallonge électrique pour s'assurer qu'il y a un bon raccord. Tester l'alimentation électrique.
3. Vérifier/remplacer le fusible
4. Inspecter tous les raccords électriques. Voir le schéma des connexions.



GARANTIE LIMITÉE

Mi-T-M garantit à l'acheteur au détail d'origine seulement que ce radiateur sera exempt de défauts de matière et de fabrication pendant une période d'un an à partir de la date de l'achat initial. Ce produit doit être installé, entretenu et utilisé correctement, en conformité avec les instructions fournies.

Mi-T-M exige une preuve raisonnable de la date d'achat chez un détaillant ou un distributeur autorisé. Il vous faut donc conserver votre preuve d'achat, facture ou chèque annulé pour l'achat d'origine. Cette garantie limitée couvre uniquement la réparation ou le remplacement des pièces jugées défectueuses dans des conditions d'utilisation et d'entretien normales pendant la période de garantie et Mi-T-M se réserve le droit de déterminer ceci à sa seule discrétion. Cette garantie ne couvre pas les pièces d'usure: filtres, ailettes, gicleurs et rotors.

Cette garantie limitée ne couvre pas toute défaillance ou difficulté d'utilisation résultant d'un usage normal, d'une usure normale, d'un accident, d'un abus, d'une mauvaise utilisation, d'une altération, d'un mauvais usage, d'une installation inadéquate ou encore d'une réparation ou d'un entretien inadéquats par vous ou par une quelconque tierce partie. Le fait de négliger d'effectuer l'entretien normal et de routine de ce radiateur, les dommages causés lors de l'expédition de l'expédition ou reliés à des insectes, des oiseaux ou des animaux ou encore à tout autre dommage résultant des conditions météorologiques ne sont pas couverts par cette garantie. En outre, cette garantie limitée ne couvre par les dommages au fini, comme les égratignures, les encoches, la décoloration, la rouille ou d'autres dommages résultant des conditions météorologiques, et survenus après l'achat.

Tous les frais de transport pour le retour de produits ou de pièces endommagés doivent être défrayés par l'acheteur. Sur réception de l'article endommagé, Mi-T-M examinera l'article en question et déterminera s'il est défectueux. Mi-T-M réparera ou remplacera et retournera l'article frais de port payés. Si Mi-T-M détermine que l'article est dans un état d'utilisation normale, ou n'est pas défectueux, il sera retourné fret payable à l'arrivée. Cette garantie limitée remplace toute autre garantie explicite. Mi-T-M renonce à toute garantie de produits achetés de vendeurs autres que des détaillants ou distributeurs autorisés.

APRÈS UNE PÉRIODE D'UN (1) AN CETTE GARANTIE EXPRESSE EXPIRE, Mi-T-M RENONCE À TOUTE GARANTIE IMPLICITE INCLUANT, MAIS SANS S'Y LIMITER, TOUTE GARANTIE IMPLICITE DE QUALITÉ MARCHANDE OU D'ADAPTATION À UN USAGE PARTICULIER. EN OUTRE, Mi-T-M N'EST AUCUNEMENT RESPONSABLE ENVERS L'ACHETEUR OU ENVERS TOUTE TIERCE PARTIE POUR UN QUELCONQUE DOMMAGE INDIRECT, PUNITIF, CONNEXE OU FORTUIT. Mi-T-M n'assume aucune responsabilité pour un quelconque défaut causé par une tierce partie. Cette garantie limitée donne à l'acheteur des droits légaux spécifiques; un acheteur pourrait jouir d'autres droits selon de la juridiction où il réside. Certaines juridictions ne permettent pas l'exclusion ou la limitation des dommages spéciaux, indirects ou fortuits ou des limitations sur la durée d'une garantie; les limitations ci-dessus pourraient donc ne pas s'appliquer à votre cas.

Mi-T-M n'autorise aucune personne ou aucune entreprise à assumer pour elle une quelconque obligation ou responsabilité autre reliée à la vente, l'installation, l'utilisation, l'enlèvement, le retour ou le remplacement de ces équipements et aucune telle représentation ne lie en quelque manière Mi-T-M

Toujours s'assurer de spécifier le numéro de modèle et le numéro de série lors de toute demande à Mi-T-M

Pour service ou considération de garantie, contactez
Mi-T-M® Corporation, 8650 Enterprise Drive, Peosta, IA 52068
563-556-7484 / 800-553-9053 / Fax 563-556-1235
du lundi au vendredi, de 8h00 à 17h00, CST (heure centrale)

TABLE OF CONTENTS

INTRODUCCION	40
¡IMPORTANTE	40
ADVERTENCIAS IMPORTANTES DE SEGURIDAD	41
IDENTIFICACIÓN DEL PRODUCTO.....	46
ESPECIFICACIONES.....	47
MONTAJE	47
OPERACION	49
MANTENIMIENTO	52
LOCALIZACION DE FALLAS	55
GARANTIA LIMITADA	56

WARNING

ADVERTENCIA: Este producto tiene plomo, una sustancia química conocida al Estado de California a causar cáncer y defectos de nacimiento u otro daño reproductivo.

Lávese las manos después de usar este producto.

ADVERTENCIA

Este producto contiene química conocida por el estado de California a causar cancer, defectos de nacimiento, y otros peligros reproductor.

INTRODUCCION

¡Felicitaciones por la compra de su nueva compresor de aire eléctrico! Puede estar seguro que su compresor de aire eléctrico fue construida con el nivel más. Cada componente ha sido probado rigurosamente por técnicos para asegurar la calidad, la resistencia y el rendimiento de esta unidad.

Este manual del operador fue compilado para su beneficio. Leyendo y siguiendo los pasos simples de seguridad, instalación, operación, mantenimiento y localización de fallas descritos en este manual ayudará a prolongar aun más la operación libre de fallas que usted puede esperar de su compresor de aire eléctrico. El contenido de este manual está basado en la información actualizada disponible al momento de la publicación. Mi-T-M® se reserva el derecho de efectuar cambios en precio, color, materiales, equipo, especificaciones o modelos en cualquier momento sin previo aviso.

¡IMPORTANTE!

Estos párrafos están rodeados por una “CASILLA DE ALERTA DE SEGURIDAD”. Esta casilla se usa par designar y enfatizar las Advertencias de Seguridad que deben seguirse al operar esta lavadora a presión. Acompañando a las Advertencias de Seguridad están las “palabras de alerta” que designan el grado o nivel de seriedad de riesgo. Las “palabras de alerta” usadas en este manual son las siguientes:

PELIGRO: Indica una situación inminente riesgosa la cual, si no se evita, RESULTARA en la muerte o en lesiones graves.

ADVERTENCIA: Indica una situación potencialmente riesgosa la cual, si no se evita, PODRIA resultar en la muerte o en lesiones graves.

PRECAUCION: Indica una situación potencialmente riesgosa la cual, si no se evita PUEDE resultar en lesiones menores o moderadas.



El símbolo indicado a la izquierda de este párrafo es el “Símbolo de Alerta de Seguridad”. Este símbolo se usa para alertarlo acerca de artículos o procedimientos que podrían ser peligrosos para usted u otras personas usando este equipo.

PROVEA SIEMPRE UNA COPIA DE ESTE MANUAL A CUALQUIER PERSONA QUE USE ESTE EQUIPO. LEA TODAS LAS INSTRUCCIONES ANTES DE OPERAR ESTA LAVADORA A PRESION, OBSERVANDO EN PARTICULAR LAS “ADVERTENCIAS DE SEGURIDAD” PARA EVITAR LA POSIBILIDAD DE LESIONES PERSONALES AL OPERADOR.

Escriba el número de serie de su unidad en el espacio provisto abajo, una vez que la unidad haya sido desempacada.

NUMERO DE SERIE _____



Inspeccione por daño el contenido de la caja. Si algo parece dañado, NO LA DEVUELVA AL LUGAR DE COMPRA. Llame a su representante de servicio al cliente de al 800-553-9053.

Por favor tenga disponible la información siguiente para todas las llamadas de servicio:

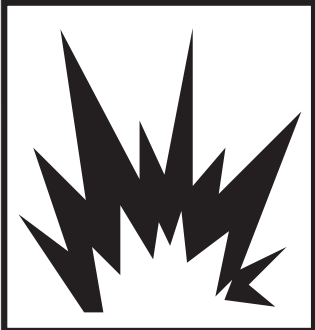

1. Número de modelo
2. Número de serie
3. Fecha y lugar de compra

Mi-T-M® Corporation
8650 Enterprise Drive
Peosta, IA 52068-0050

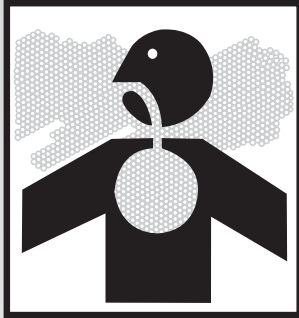
ADVERTENCIAS IMPORTANTES DE SEGURIDAD

Hazard	Potential Consequence	Prevention
<p style="text-align: center;">RIESGO DE DESCARGAS ELÉCTRICAS O ELECTROCUCIÓN</p> 	<p>Una incorrecta conexión a tierra del compresor de aire puede causar lesiones graves o incluso la muerte. Su compresor de aire es alimentado por corriente eléctrica que puede causar descargas eléctricas o electrocución, si no se usa correctamente.</p> <p>Las descargas eléctricas pueden ocurrir si no se usa correctamente el compresor de aire.</p> <p>Reparaciones de partes eléctricas realizadas por personal incapacitado puede causar lesiones graves o incluso la muerte.</p>	<p>La instalación de esta unidad, incluyendo todas las conexiones eléctricas, debe conformarse con todo el local, estado y códigos nacionales.</p> <p>Este producto debe ser puesto a tierra. Conecte con un interruptor de GFCI cuando esta' disponible. Si funciona incorrectamente la unidad o interrupción, el poner a tierra proporciona una trayectoria de menos resistencia para la corriente eléctrica para reducir el riesgo de la descarga eléctrica. No mueva a una línea de fuente de gas.</p> <p>La conexión incorrecta del conductor equipo-que pone a tierra puede dar lugar a un riesgo del electrocution. Compruebe con un electricista o un personal de servicio cualificado si usted es en duda si el sistema está puesto a tierra correctamente.</p> <p>Esté siempre seguro que la unidad está recibiendo voltaje apropiado Antes de instalar conexiones eléctricas, esté seguro que los interruptores están en la posición de "off".</p> <p>Mantenga todas las conexiones secas y de la tierra.</p> <p>No usar sin las protecciones de seguridad/coberturas o si éstas están dañadas.</p> <p>Cualquier operación de cableado o reparación eléctrica en debe ser realizado por personal autorizado, conforme a las normas eléctricas locales y nacionales.</p>
<p style="text-align: center;">RIESGO DE QUEMADURAS</p> 	<p>La herida grave podría ocurrir de tocar partes metálicas expuestas. Estas áreas pueden quedarse caliente durante un tiempo después de que la calentadora sea apagada.</p>	<p>Asegurarse que ninguna parte del cuerpo o de otros materiales entre en contacto con las partes metálicas expuestas del compresor de aire.</p>







ADVERTENCIAS IMPORTANTES DE SEGURIDAD

Hazard	Potential Consequence	Prevention
<p>RIESGO DE EXPLOSIÓN O DE INCENDIO</p> <div style="text-align: center;">   </div>	<p>Normales chispas eléctricas del motor y del interruptor de presión pueden causar lesiones graves e incluso la muerte.</p> <p>La herida grave puede ocurrir la entrada o salida del aire de la calentadora son bloqueadas.</p> <p>La herida o la muerte graves pueden ocurrir si combustibles impropios son utilizados, si calentadora esta operando al rellenar.</p> <p>SIEMPRE mantenga la calentadora en una superficie de estable y nivel. SIEMPRE mantenga a niños y animales lejos de calentadora.</p>	<p>Siempre opere calentadora en un área bien ventilada libre de vapores inflamables, polvo combustible, los gases u otras materias combustibles.</p> <p>Nunca ponga los objetos enfrente de entrada del aire (trasero) ni salida de aire (frente) de calentadora. Nunca utilice el trabajo de conducto en la frente ni en trasero de calentadora. Mantenga toda materia combustible lejos de esta calentadora.</p> <p>Nunca use combustibles como gasolina, el benceno, diluyentes de pintura, ni otro petróleo componen en esta calentadora. Esta calentadora está MUY CALIENTE mientras en la operación.</p> <p>Nunca transporte calentadora con combustible en su tanque.</p> <p>El almacenamiento del combustible del bulto debe ser un mínimo de 25 Pies de calentadoras, de las antorchas, de generadores portátiles, o de otras fuentes de ignición. Todo almacenamiento del combustible debe ser de acuerdo con federal, el estado, o las administración local que tienen jurisdicción.</p> <p>Nunca movimiento ni maneja calentadora mientras todavía caliente.</p> <p>Si equipado con un termostato, la calentadora puede comenzar en tiempo.</p> <p>SIEMPRE mantenga la calentadora en una superficie de estable y nivel. SIEMPRE mantenga a niños y animales lejos de calentadora.</p>

ADVERTENCIAS IMPORTANTES DE SEGURIDAD

Hazard	Potential Consequence	Prevention
<p style="text-align: center;">RIESGOS A LA RESPIRACIÓN</p> 	<p>La herida o la muerte graves podrían ocurrir del fracaso para tener ventilación apropiada según este manual.</p>	<p>Esta es una calentadora del aire forcido que use queroseno y directo-despidió. El uso principal es para la calefacción temporaria de edificios en construcción, la modificación o la reparación. Los medios de directo-despidió que todos los productos de combustión de la calentadora entran el espacio calentado. Este aparato es valorado en 98% de eficiencia de combustión, pero produce cantidades pequeñas de monóxido de carbono. El monóxido de carbono es tóxico. Los humanos pueden tolerar cantidades pequeñas de monóxido de carbono, y las precauciones deben ser tomadas para proporcionar ventilación apropiada. El fracaso para proporcionar ventilación apropiada según este manual puede tener como resultado la muerte.</p> <p>Si no se suministra la adecuada ventilación indicada en este manual, se puede ocasionar la muerte. Las primeras etapas de intoxicación por monóxido de carbono producen síntomas similares a los de la gripe. Los síntomas que puede sufrir si la ventilación no es la adecuada son: * dolor de cabeza * mareo * irritación de la nariz y los ojos * náusea * boca seca * irritación de la garganta</p> <p>La abertura debe tener al menos 0.28 m² por cada 100,000 Btu de capacidad máxima.</p> <p>Las personas con problemas de respirar deben consultar a un médico antes de utilizar la calentadora. El Envenenamiento del Monóxido de carbono: Los signos tempranos de envenenamiento de monóxido de carbono se parecen a síntomas que son similares al gripe como dolores de cabeza, al mareo, y/o a la náusea. Si usted tiene estos síntomas, su calentadora no puede estar trabajando apropiadamente.</p> <p>¡Consiga aire fresco inmediatamente! La calentadora necesita atención pronto. Algunas personas son afectadas mas por monóxido de carbono que otros. Estos incluyen a mujeres embarazadas, éstos con problemas del corazón o problemas pulmonares, con la anemia, o con éstos ebrio, o a grandes altitudes. Nunca utilice esta calentadora en áreas de vivienda ni áreas durmientes.</p>

ADVERTENCIAS IMPORTANTES DE SEGURIDAD

-  PELIGRO DE INCENDIO, QUEMADURA, INHALACIÓN Y EXPLOSIÓN. MANTENGA LOS COMBUSTIBLES SÓLIDOS COMO, POR EJEMPLO, MATERIALES DE CONSTRUCCIÓN, PAPEL Y CARTÓN, A UNA DISTANCIA PRUDENCIAL DEL CALENTADOR SEGÚN LO RECOMIENDAN LAS INSTRUCCIONES. NUNCA USE EL CALENTADOR EN ESPACIOS QUE CONTENGAN O PUEDAN CONTENER COMBUSTIBLES VOLÁTILES O EN SUSPENSIÓN EN EL AIRE NI PRODUCTOS COMO, POR EJEMPLO, GASOLINA, DISOLVENTES, SOLVENTES DE PINTURA, PARTÍCULAS DE POLVO O QUÍMICOS DESCONOCIDOS.
-  RESIDENTES DE CALIFORNIA: ESTE CALENTADOR PRODUCE MONÓXIDO DE CARBONO, EL CUAL EL ESTADO DE CALIFORNIA IDENTIFICA COMO UNA TOXINA REPRODUCTIVA BAJO LA PROPUESTA 65.
-  RESIDENTES DE MASSACHUSETTS: LA LEY DEL ESTADO DE MASSACHUSETTS PROHÍBE EL USO DE ESTE CALENTADOR EN CUALQUIER EDIFICIO QUE SE UTILICE TOTAL O PARCIALMENTE PARA LA HABITACIÓN HUMANA. EL USO DE ESTE DISPOSITIVO DE CALEFACCIÓN EN MASSACHUSETTS REQUIERE LA AUTORIZACIÓN DEL DEPARTAMENTO DE BOMBEROS DE LA LOCALIDAD (M.G.L.C. 148, SECCIÓN 10A).
-  RESIDENTES DE LA CIUDAD DE NUEVA YORK: PARA USO SOLAMENTE EN LUGARES DE CONSTRUCCIÓN DE ACUERDO CON LOS CÓDIGOS APLICABLES DE LA CIUDAD DE NUEVA YORK. NÚM. DE APROBACIÓN DEL FDNY (DEPARTAMENTO DE BOMBEROS DE NUEVA YORK): 70T Y MH-0125-0M10 NÚM. DE APROBACIÓN DEL FDNY (DEPARTAMENTO DE BOMBEROS DE NUEVA YORK): 5101 PARA LOS MODELOS MH-0175-0M10.
-  EL CÓDIGO DE FUEGO DE NEW YORK CITY PROHÍBE EL ALMACENAJE, LA DIRECCIÓN Y EL USO DE LOS CALENTADORES APROVISIONADOS DE COMBUSTIBLE KEROSENO PARA LA CALEFACCIÓN DE TALLERES. CUALQUIER PERSONA QUE VIOLA ESA DISPOSICIÓN PUEDE SER CASTIGADA POR UNA MULTA DE HASTA \$10.000 Y UN TÉRMINO DEL ENCARCELAMIENTO HASTA 6 MESES.
-  NUNCA DEJE DESATENDIDO EL CALENTADOR MIENTRAS ESTE ESTE ENCENDIDO O ESTE CONECTADO A UNA FUENTE DE ALIMENTACION.

 **GUARDE ESTAS INSTRUCCIONES!** 

ADVERTENCIA

LAS PAGINAS SIGUIENTES CONTIENEN INSTRUCCIONES DE OPERACION Y MANTENIMIENTO

NO TRATE DE OPERAR ESTA LAVADORA A PRESION HASTA QUE HAYA LEIDO Y ENTENDIDO TODAS LAS PRECAUCIONES E INSTRUCCIONES DE SEGURIDAD LISTADAS EN ESTE MANUAL.

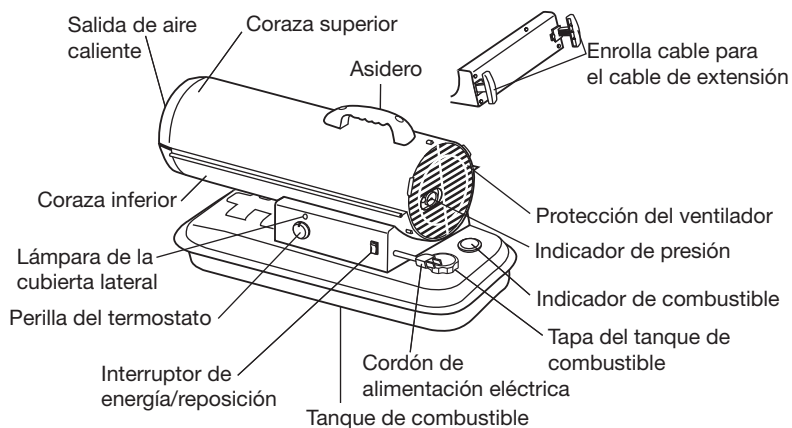
¡¡LA OPERACION INCORRECTA DE ESTA UNIDAD PUEDE CAUSAR LESIONES GRAVES!!

¡¡DE NINGUNA MANERA ALTERE O MODIFIQUE ESTE EQUIPO!!

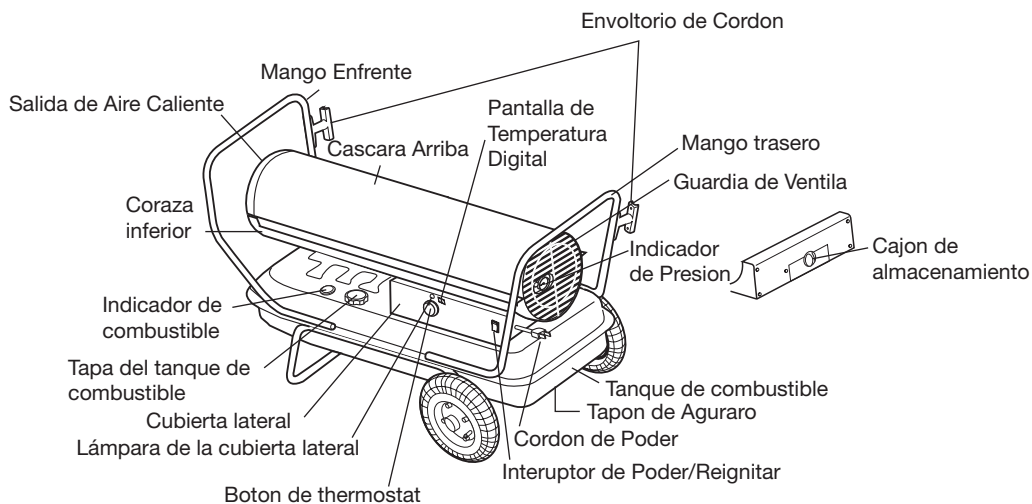
NUNCA DEJE DESATENDIDO EL CALENTADOR MIENTRAS ESTE ESTE ENCENDIDO O ESTE CONECTADO A UNA FUENTE DE ALIMENTACION.

IDENTIFICACIÓN DEL PRODUCTO

Modelo MH-0070-0M10



Modelo MH-0125-0M10, MH-0175-0M10, MH-0215-0M10




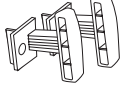
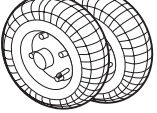
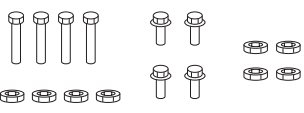
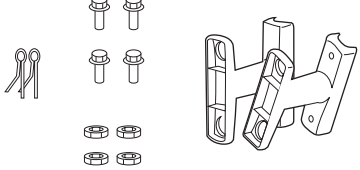
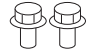


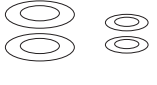
ESPECIFICACIONES

Modelo	MH-0070-0M10	MH-0125-0M10	MH-0175-0M10	MH-0215-0M10
Ritmo	70,000	125,000	175,000	215,000
Consumpcion Gal/Hora	0.53	.95	1.34	1.63
Galones de capacidad del tanque de combustible	5.0	10.0	13.0	13.0
Presion de Bomba PSI	4.0	5.0	7.5	9.0
Voltaje/Hz	120VAC/ 60 Hz	120VAC/ 60 Hz	120VAC/ 60 Hz	120VAC/ 60 Hz
Amperios	1.5	2.3	2.7	2.8
Fase	Sencillo	Sencillo	Sencillo	Sencillo
Tamano (Longitud x Ancho X altura)	30" x 13" x 15"	37" x 22" x 25"	42" x 24" x 26"	42" x 24" x 26"
Peso Neto (Libras)	28	51	58	61

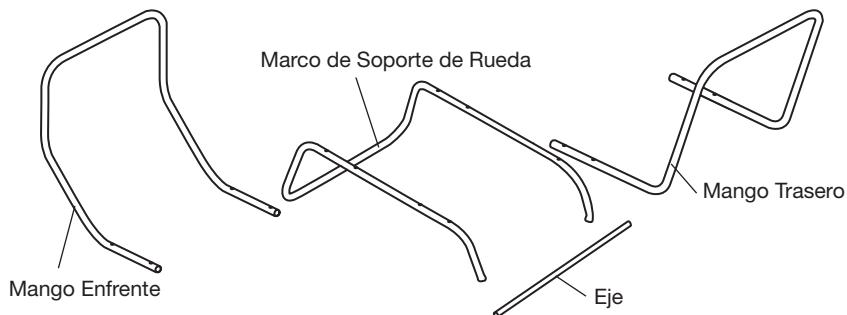
El espacio libre mínimo de Combustibles				
	MH-0070-0M10	MH-0125-0M10	MH-0175-0M10	MH-0215-0M10
Encima	4 ft.	4 ft.	4 ft.	4 ft.
Lados	4 ft.	4 ft.	4 ft.	4 ft.
enfrente	8 ft.	8 ft.	8 ft.	8 ft.

MONTAJE

COMPONENTES DE FERRETERIA

 Mango	 Envoltorios de Cordon	 Ruedas	 Ferreteria de Componentes del Marco		 Los Alfileres, los Tornillos y las Tuercas (4 cada) y ENVOLTORIO DE CORDON
 Kit de Ferreria	 Tapas de Ruedas	 Los limites del espaci	 Arandelas, (L) y (S)		

COMPONENTES DEL MARCO



MONTAJE

NOTA: Modelos diferentes requieren montajes diferentes

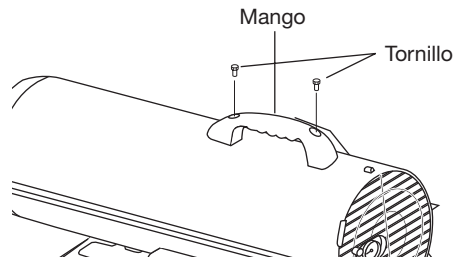
Nota: Herramientas necesarios para modelos MH-0070-0M10: un tornillo medio de Phillips

Nota: Herramientas necesarios para modelos MH-0125-0M10, MH-0175-0M10, MH-0215-0M10 un destornillador medio de Phillips, llave inglesa ajustable de fin abierto, tenazas

MONTAJE PARA MODELO MH-0070-0M10

MONTANDO DEL ASIDERO

1. Alinee los hoyos en la envoltura superior con los 2 hoyos en el asidero como mostrado
2. Inserte y apriete los tornillos con un destornillador



MONTANDO EL ENVOLTORIO DE CORDON

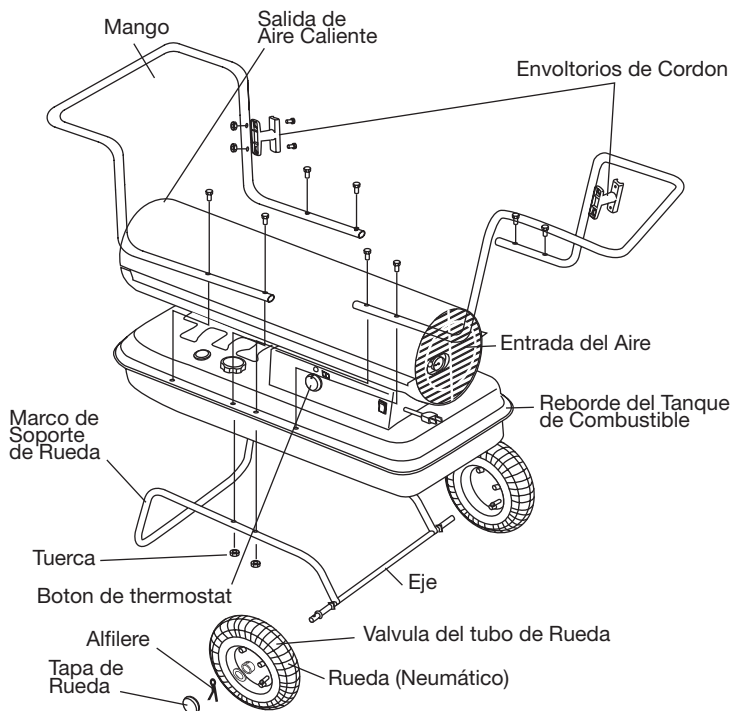
1. Inserte etiquetas en el envoltorio de cordón en ranuras en el apoyo de esqueleto, formando fila los hoyos en el envoltorio de cordón con éstos en la cobertura de lado.
2. Inserte y apriete los tornillos con un destornillador

⚠ NUNCA DEJE DESATENDIDO EL CALENTADOR MIENTRAS ESTE ESTE ENCENDIDO O ESTE CONECTADO A UNA FUENTE DE ALIMENTACION.

MONTAJE PARA MODELOS MH-0125-0M10, MH-0175-0M10, MH-0215-0M10

MONTANDO EL MARCO Y RUEDAS

1. Deslice eje por hoyos en el marco de apoyo de rueda. Deslice bujes de rueda y arandela plana en a cada fin de eje.
2. Deslice las ruedas en a cada eje, está seguro que el tallo de válvula (si neumático) está al exterior.
3. Deslice arandelas planas en eje por delante del pequeño hoyo. Inserte alfiler de chaveta en el hoyo de eje y piernas de curva de alfiler con alicates de nariz de aguja para asegurar.
4. Conecte las tapas de rueda en las arandelas grandes.
5. Coloque calentadora en el marco reunido, asegurándose de que el fin aéreo de cala está por las ruedas, y por los hoyos crecientes en el reborde de tanque de la calentadora alinean con hoyos en el marco.
6. Tome el asidero delantero y alinee los hoyos crecientes con los correspondientes hoyos en el marco de reborde/rueda de tanque. Deslice un tornillo por los hoyos y conecta flojamente una tuerca. Repita para los otros 3 hoyos, entonces aprieta completamente 4 tornillos y tuercas.
7. Repita este proceso con el asidero trasero



MONTANDO EL ENVOLTORIO DE CORDON

⚠ PRECAUCION: NO OPERE CALENTADORA SIN REUNIO COMPLETMENT DEL MARCO DE APOYO A TANQUE.

1. Alinee hoyos en el envoltorio de cordón con correspondientes hoyos en el asidero delantero. Inserte tornillos por hoyos, conecta tuercas y aprieta.
2. Repita este proceso con el asidero trasero. No opere calentadora sin reunion completment del marco de apoyo al tanque.

OPERACION

ALIMENTANDO LA CALENTADORA

⚠ PRECAUCION: NUNCA LLENE EL DEPOSITO DENTRO. SIEMPRE LLENE EL TANQUE FUERA. ESTE SEGURO QUE LA CALENTADORA ESTA EN SUELO PLANO AL ABASTECER DE COMBUSTIBLE, Y NUNCA SATURAR EL DEPOSITO.

Es siempre una idea buena de despedir la calentadora fuera para el tiempo de puño. Esto permitirá cualquier óleos utilizado en el proceso industrial ser quemado en un ambiente seguro. Esta quemadura inicial debe durar por lo menos 10 minutos.

QUEROSENO (#1-K)

Para el desempeño óptimo de esta calentadora, es sugerido usar queroseno de #1-K. El queroseno de #1-K ha sido refinado para eliminar virtualmente contaminantes, como azufre, que puede causar un olor podrido de huevo durante la operación de la calentadora. Sin embargo, #1, #2 (gasóleo), JP-8 o Lanza en chorro (A) combustible también puede ser utilizado si queroseno de #1-K no está disponible. Es aconsejado que estos combustibles no queman limpia como como queroseno de #1-K, y el cuidado deben ser tomados para proporcionar ventilación aérea más fresca para acomodar ningún contaminante agregado que puede ser añadido al espacio calentado.

⚠ ADVERTENCIA: NO UTILIZAR BIO-DIESEL COMO ESTE COMBUSTIBLE DAÑARÁ SU CALENTADOR SELLOS Y FILTRO. CSA HABÍA CERTIFICADO PARA SU USO CON KEROSENO DE 1-K, N° 1 Y N° 2 DIESEL, COMBUSTIBLE JP8/JET A, N° 1 Y N° 2 FUEL-OIL.

NOTA: El queroseno sólo debe ser almacenado en un contenedor azul que es marcado claramente "queroseno". Nunca almacene queroseno en un contenedor rojo. Rojo es asociado con gasolina.

- Nunca almacene queroseno en el espacio vital. El queroseno debe ser almacenado en un área bien ventilada fuera del área viva.
- Nunca combustible de uso como gasolina, el benceno, el alcohol, gas blanco, combustible de hornillo de camping, diluyentes de pintura, ni otro petróleo componen en esta calentadora (ESTOS SON COMBUSTIBLES VOLATILES QUE PUEDEN CAUSAR UN FUEGO O EXPLOSION)
- NUNCA almacene queroseno en la luz directa del sol ni cerca de una fuente de calor.
- Nunca uso queroseno que ha sido almacenado de una temporada al luego. El queroseno empeora con el tiempo. El QUEROSENO VIEJO NO QUEMARA APROPIADAMENTE EN ESTA CALENTADORA.
- Utilice queroseno de #1-K en esta calentadora. #1, #2 (gasóleo), JP-8, o combustible en Jet(A) son substitutos convenientes.

⚠ NUNCA DEJE DESATENDIDO EL CALENTADOR MIENTRAS ESTE ESTE ENCENDIDO O ESTE CONECTADO A UNA FUENTE DE ALIMENTACION.

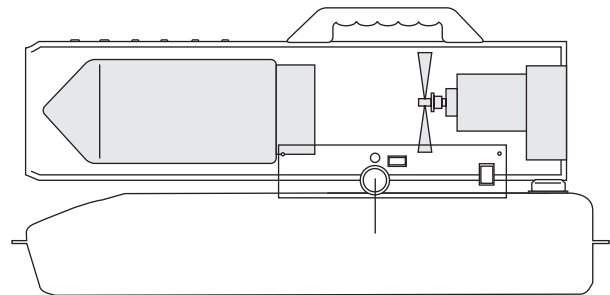
TEORIA DE OPERACION

Sistema de Combustible: Esta calentadora es equipada con una bomba de aire que opera lejos del motor eléctrico. La bomba fuerza aire por la línea aérea conectada al depósito, trayendo combustible a la boca en la cabeza de quemador. También aire pasa por la boquilla donde lo mezcla con el combustible y es rociado en la cámara de combustión en una niebla fina.

La Ignición de tiro rápido: Un transformador envía voltaje alto a una bujía de dos pinchas. La chispa enciende la mezcla de combustible/aéreo cuando es rociada en la cámara de combustión.

Sistema de Aéreo: Un ventilador gira por el motor pesado, que fuerza el aire alrededor y en la cámara de combustión, donde es súper-calentado y forzado fuera la frente de la cámara.

El Control del Límite de la temperatura: Esta calentadora es equipada con un Control de Límite de



OPERACION

Temperatura diseñó para apagar la calentadora debe la subida interna de temperatura a un nivel peligroso. Si este dispositivo activa y gira su calentadora parar, puede requerir servicio. Cuando la temperatura se cae debajo de la temperatura del repuso, usted podrá comenzar su calentadora mas tarde.

La Protección de la Sistema electrica: La sistema eléctrica de las calentadoras es protegido por un cortacircuitos que protege los componentes de sistema del daño. Si la calentadora falla, verifica el fusible primero, y reemplaza si necesario.

Sensor de Llama: La calentadora utiliza una fotocelda para "ver" la llama en la cámara de combustión. Debe la llama extingue, el sensor parará corriente eléctrica y la calentadora apagará.

VENTILACION

El riesgo de contaminación atmosférica interior. Solo utilice la calentadora en áreas con bien ventiladas. Siempre proporcione un aire fresco que abre en el espacio calentado de por lo menos tres pies cuadrados (2.800 cuadrado cm) para cada 100.000 BTU/HORA. de salida de calentadora. Proporcione una apertura más grande si hay más calentadoras son utilizadas. Por un ejemplo, un AC-215 calentadora requerirá:

- una puerta del garaje de dos-coches que abre 6 pulgadas,
- o un garaje de un coche abre 9 pulgadas,
- o dos ventanas que son treinta y dos pulgadas y abren quince pulgadas.

⚠ NUNCA DEJE DESATENDIDO EL CALENTADOR MIENTRAS ESTE ESTE ENCENDIDO O ESTE CONECTADO A UNA FUENTE DE ALIMENTACION.

COMENZAR LA CALENTADORA

1. Llene el tanque con queroseno hasta puntos de calibrador de combustible a "F".
2. Asegurese que la tapa del combustible esta segura.
3. Tape cable de alimentación en alargador de tres puntas y tape alargador en salida molio de tres punta 120V.

El alargador debe ser por lo menos seis pies de largo.

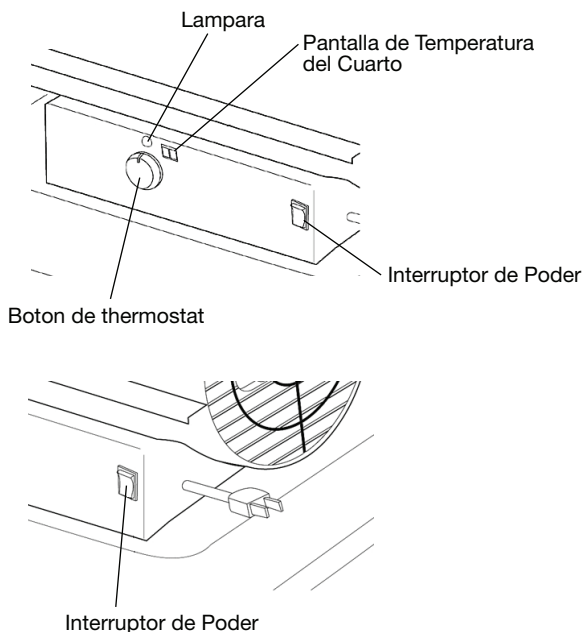
Minimo el alargador debe ser por lo menos seis pies de largo. Los requisitos del tamaño del alambre del alargador son:

- 6 a 10 pies (1,8 a 3 metros), el uso 18 alambre de AWG.
 - 11 a 100 pies (3,4 a 30,4 metros), el uso 16 alambre de AWG.
 - 101 a 200 pies (30,8 a 61 metros), el uso 14 alambre de AWG.
4. Gire botón termostato a la colocación deseada de la temperatura. La gama es de 40° F a 110° F. Empuje el interruptor del Poder a la posicion de "ON." La lámpara indicadora del poder y ambiente de temperatura demuestran (MH-0125-0M10/MH-0175-0M10/MH-0215-0M10 sólo) encenderá y la calentadora comenzará.

NOTA: La pantalla de la temperatura en el cuarto indicará el siguiente(MH-0125-0M10/MH-0175-0M10/MH-0215-0M10 only)

- Cuándo temperatura es menos de 0° F, la pantalla dice "BAJO".
- Cuándo temperatura es arriba 99° F, la pantalla dice "ALTO".
- Entre 0° y 99° F la pantalla muestra la temperatura verdadera.

Si la calentadora no despide, el termostato puede ser puesto también bajo. Gire el Botón de control a una colocación más alta hasta fuegos de calentadora. Si la calentadora no comienza todavía, empuje el Poder Interruptor a "OFF" o "PARE", entonces atrás a "ON"o "OPERE". Si calentadora todavía no despide, vea guia del Localizando de las fallas..



OPERACION

NOTA: Los componentes eléctricos de esta calentadora son protegidos por un fusible montado en la tabla de PC. Si la calentadora falla de despedir, verifique este fusible primero, y reemplazar si necesario. También verifique la fuente de alimentación para estar seguro que el voltaje apropiado es proporcionado a la calentadora.

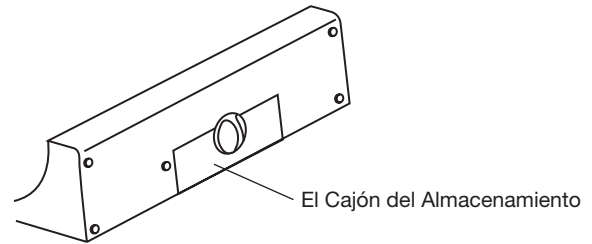
PARAR LA CALENTADORA

Gira simplemente el interruptor del Poder a la posición de "OFF" o "PARE" y desenchufa el Cable de alimentación.

NOTE: Usando el combustible diesel puede causar exceso de la producción del hollín

PARA REINICIAR LA CALENTADORA

1. ESPERE DIEZ SEGUNDOS DESPUÉS DEL APAGAR CALENTADORA.
2. GIRE EL INTERRUPTOR DEL PODER A LA POSICION DE "ON" O "OPERE".
3. ASEGURESE QUE SEGUIR TODAS PRECAUCIONES DE PROCEDIMIENTO QUE COMIENZAN.



**MH-0125-0M10 / MH-0175-0M10 /
MH-0215-0M10 SOLAMENTE**

ALMACENAMIENTO DE TIEMPO LARGO

DESAGUAR TANQUE DEL COMBUSTIBLE

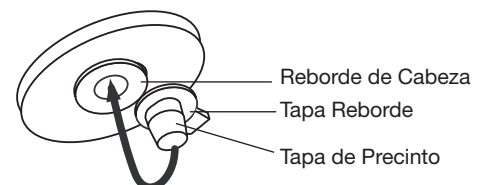
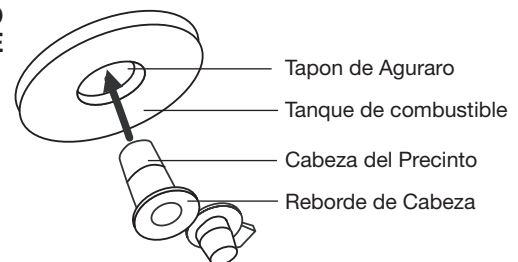
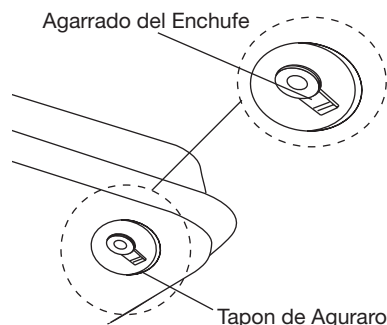
Para el modelo MH-0070-0M10 desaguar combustible por la apertura de la tapa del combustible. Para los modelos de MH-0125-0M10/MH-0175-0M10/MH-0215-0M10 desaguar combustible por el Tapón de Desagadero en el fondo del tanque de combustible.

1. Para quitar el Tapón de desagadero (MH-0125-0M10/MH-0175-0M10/MH-0215-0M10), tira el Puño de Tapón hacia abajo y quita la cabeza del sello del hoyo de desagadero en el tanque.
2. Utilizando una cantidad pequeña de queroseno, limpia y se arremolina el queroseno dentro del tanque de combustible. Vacíe el tanque completamente.
3. Para reemplazar, empuje la cabeza de desagadero completamente en el hoyo de desagadero y asegurar como empujando la tapa de sello completamente en el hoyo de cabeza.

IMPORTANTE: NUNCA ALMACENE QUEROSENO SOBRANTE DURANTE EL VERANO. UTILIZANDO COMBUSTIBLE VIEJO PUEDE DAÑAR SU CALENTADORA.

Almacene calentadora en un área seca y bien-ventilado Está seguro que el área de almacenamiento es libre de polvo y vapores corrosivos. Vuelva a embalar la calentadora en la materia de envío de original. Mantenga el Manual de Usuarios en un lugar con accesible fácil.

⚠ NUNCA DEJE DESATENDIDO EL CALENTADOR MIENTRAS ESTE ESTE ENCENDIDO O ESTE CONECTADO A UNA FUENTE DE ALIMENTACION.



MANTENIMIENTO

⚠️ ADVERTENCIA: ¡NUNCA DAR SERVICIO A LA CALENTADOR MIENTRAS ESTA CONECTADO NI MIENTRAS CALIENTE!

Solo utilice repuestos originales de equipo. El uso de alterno o componentes de terceros pueden causar condiciones de funcionamiento peligrosas, y vaciar su garantía. Sugerimos seguir un horario de mantenimiento de la siguiente manera

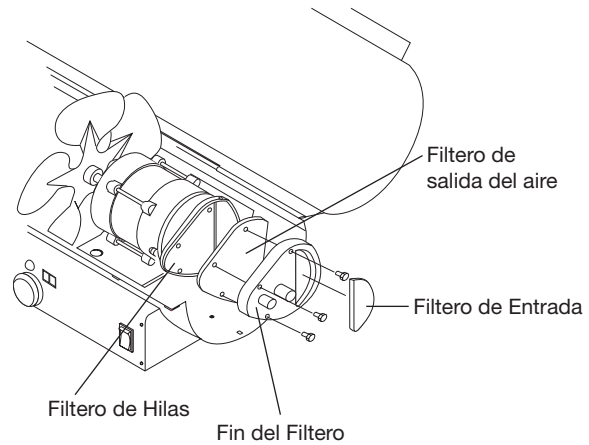
TANQUE DEL COMBUSTIBLE:

Limpie cada 200 horas de operación o como necesitado. No utilice agua para limpiar el tanque. Utilice queroseno de #1-K fresco sólo.

FILTROS DEL AIRE:

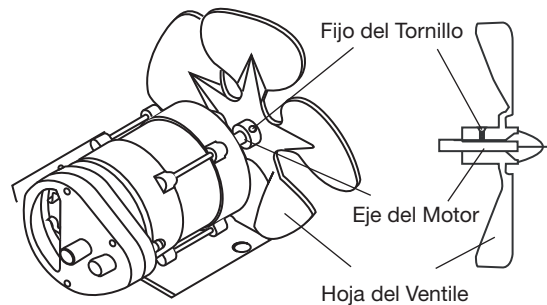
El Filtro de entrada del aire debe ser reemplazado o debe ser lavado con jabón y agua y secado completamente cada 500 horas de operación, o menos, dependiendo de condiciones. Los Filtros de la Salida e Hilas deben ser reemplazados cada 500 horas de operación o menos, dependiendo de condiciones.

⚠️ NUNCA DEJE DESATENDIDO EL CALENTADOR MIENTRAS ESTE ESTE ENCENDIDO O ESTE CONECTADO A UNA FUENTE DE ALIMENTACION.



PALETAS DE VENTILADOR

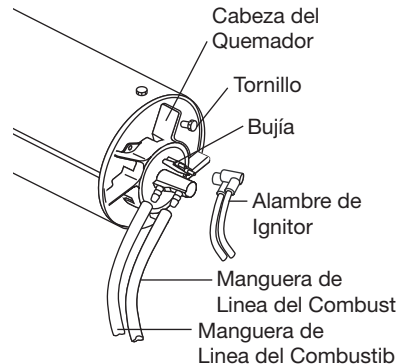
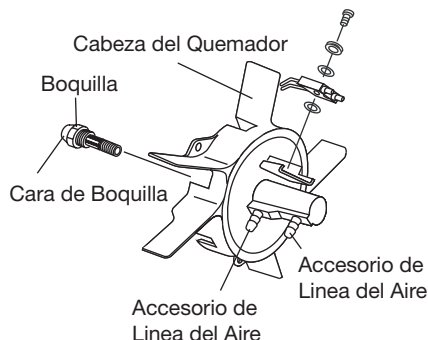
Las hojas deben ser limpiadas por lo menos una vez por la calefacción temporada, dependiendo de condiciones. Quite todo polvo y la tierra acumulados con un trapo húmedo, tomando cuidado para no doblar cualquiera de las hojas de ventilador. Esté que hojas seguro de ventilador son secas antes que reinicie la calentadora.



BOQUILLAS

Las bocas deben ser limpiadas o deben ser reemplazadas por lo menos una vez por la calefacción temporada. El combustible contaminado podría hacer este necesario inmediatamente. Para limpiar tierra de la boca, el golpe comprimido de aire por frente de boca. Puede ser necesario para empapar boca en el queroseno de #1-K limpio para ayudar a aflojar cualquier partícula.

⚠️ ADVERTENCIA: USANDO EL CALENTADOR SIN MANTENIMIENTO INCORRECTO PUEDE LLEVAR AL PRODUCCION INCORRECTO DE LA COMBUSTION Y DEL HOLLÍN

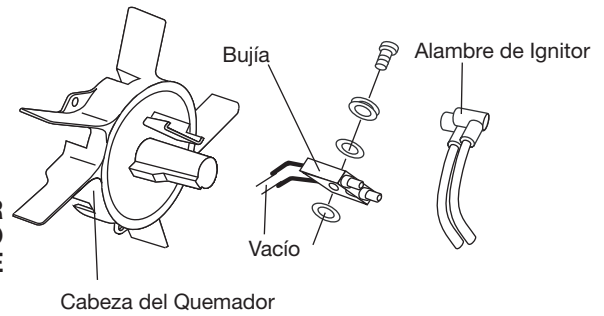


MANTENIMIENTO

BUJIA:

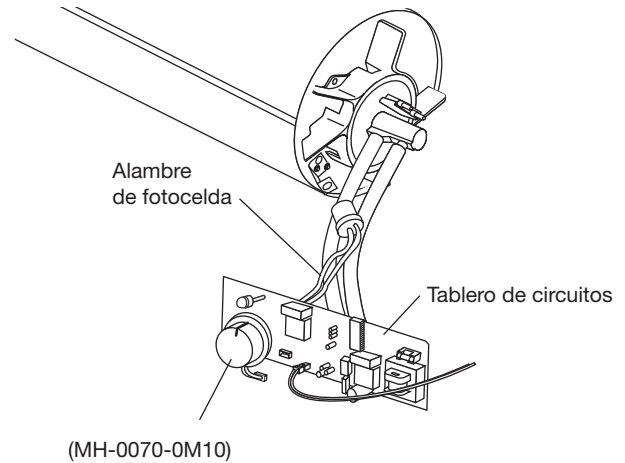
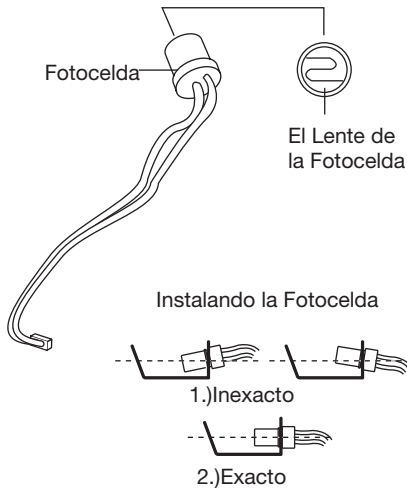
Limpiar y el acerca re-vacío cada 600 horas de operación, o reemplace como quitar de necesitado. después de la Bujía, limpia las terminales con un cepillo de alambre. El acerca re-vacío las terminales a 0,140" (3.5mm).

⚠ NUNCA DEJE DESATENDIDO EL CALENTADOR MIENTRAS ESTE ENCENDIDO O ESTE CONECTADO A UNA FUENTE DE ALIMENTACION.



FOTOCELDA:

La Fococelda debe ser limpiada por lo menos una vez por la calefacción temporada o más dependiendo de condiciones. Utilice un pedacito de algodón mojado en el agua o el alcohol para limpiar el lente de la Fococelda. Note la posición apropiada de Fococelda como notado.

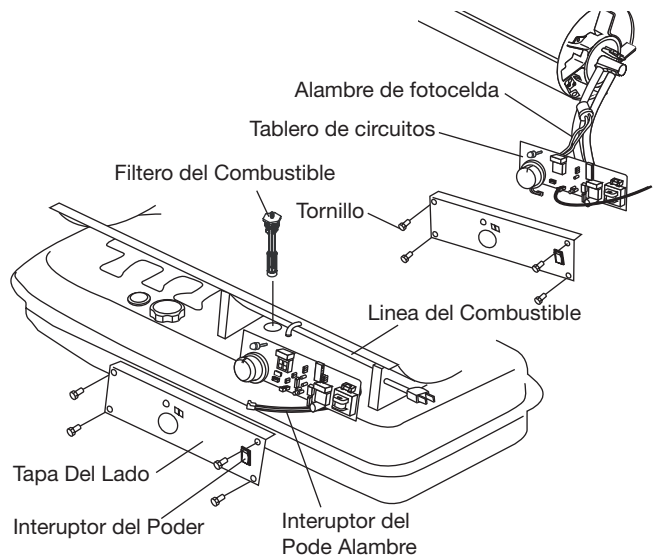


FILTRO DEL COMBUSTIBLE:

El Filtro del Combustible debe ser limpiado por lo menos dos veces por la calefacción temporada como limpiando con queroseno de #1-K limpio. El combustible contaminado podría hacer este necesario inmediatamente

NOTA: Para quitar el filtro del modelo giran el filtro a MH-0070-0M10 90° a la derecha. Para quitar el filtro de modelos C.A.-MH-0125_0175_0215-0M10, giran el filtro 90° a la izquierda.

⚠ ADVERTENCIA: EL MANTENIMIENTO DE IMPORPER PUEDE LLEVAR A LA PRODUCCIÓN POBRE DE LA COMBUSTIÓN Y DEL HOLLÍN



MANTENIMIENTO

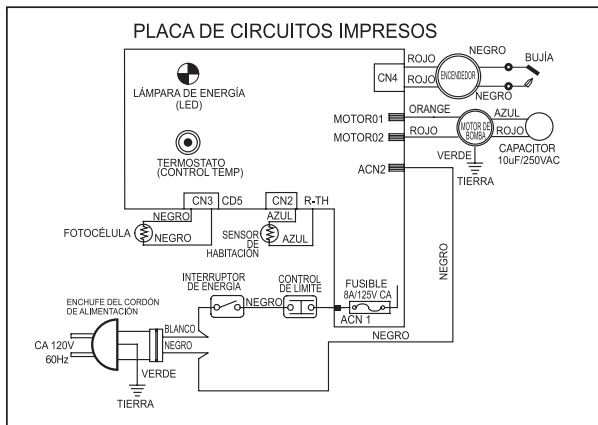
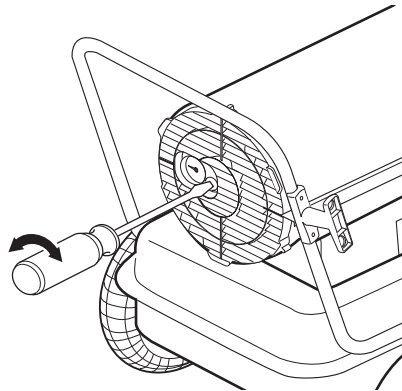
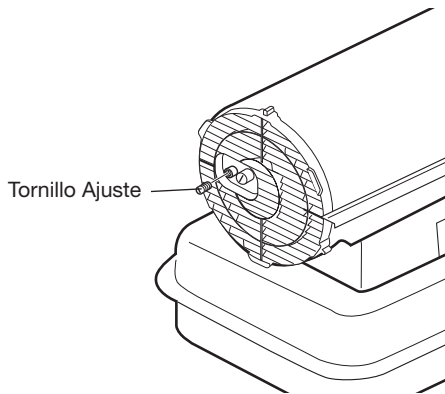
AJUSTE PRESION DE BOMBA:

Mientras calentadora opera, gira la válvula de alivio de vuelta a la derecha para aumentar, disminuir a la izquierda. Utilice destornillador plano de hoja para girar válvula. Corrija presión de bomba es así:

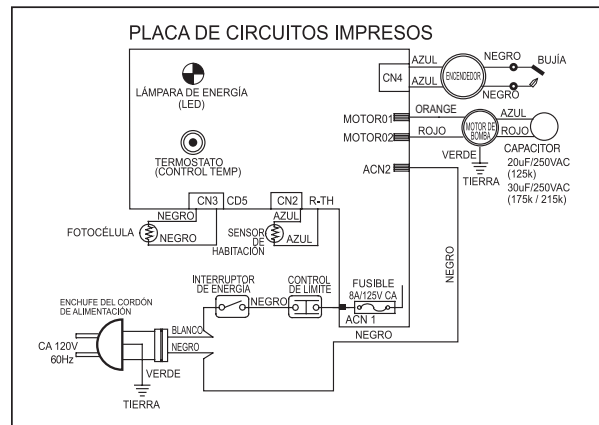
Modelo #	Presion de Bomba PSI
MH-0070-0M10	4.0 PSI
MH-0125-0M10	5.0 PSI
MH-0175-0M10	7.5 PSI
MH-0215-0M10	9.0 PSI

Tolerancia + 10 %

Para mejor medida de presión, prueba con tanque lleno de combustible. La presión óptima ocurre cuando la ojiva es rojo / cereza y no hay llamas que extienden de la calentadora.



MH-0070-0M10



MH-0125-0M10, MH-0175-0M10, MH-0215-0M10

LOCALIZACION DE FALLAS

SINTOMA

La calentadora despide, pero Principal PCP apaga la calentadora después de un tiempo corto. La lámpara parpadea, y pantalla de LED muestra "E1"

CAUSA PROBABLE

1. La presión inexacta de bomba
2. Entrada sucia, Filtro de Salida o Hilas
3. Filtro de Combustible Sucio
4. Boquilla está Sucia
5. El lente de la fotocelda está Sucio
6. La fotocelda no instaló apropiadamente
7. La fotocelda es Defectuosa
8. La conexión eléctrica impropia entre Principal PCB y la Fotocelda.

REMEDIO

1. Ajuste Presión de Bomba
2. Limpia/reemplaza Filtro del aire
3. Limpia/reemplaza El Filtro del Combustible
4. Limpia/reemplaza la boquilla
5. Limpia/reemplaza la Fotocelda
6. Ajuste la posición de Fotocelda.
7. Reemplace Fotocelda
8. Verifique las conexiones de alambre. Vea diagramas de Alambre

La calentadora no operará, o el motor opera por un tiempo corto. La lámpara parpadea y la pantalla de LED muestra "E1".

1. Ningún queroseno en el tanque del combustible
2. La presión inexacta de la bomba
3. Bujía corroída o vacío del tapón incorrecto
4. Filtro de Combustible Sucio
5. Boquilla Sucia
6. Humedad en el Tanque / Tanque de combustible
7. La conexión eléctrica impropia entre Transformador y Tablero de circuitos
8. Alambre de Ignitor no conecta a la Bujía
9. Ignitor defectuoso

1. Llène tanque con queroseno fresco
2. Ajuste la Presión de Bomba
3. Limpia/reemplaza la Bujía
4. Limpia/reemplaza de combustible
5. Limpia/reemplaza la boquilla
6. Lave tanque con queroseno que es limpio y fresco
7. Inspeccione todas conexiones eléctricas. Vea Diagramas de Alambre.
8. Reconecte alambre de Ignitor a la Bujía
9. Reemplace Ignitor

Ventile no opere cuándo calentadora es conectada y Interruptor del poder esta en posición de "ON". La lámpara parpadea o pantalla de LED muestra "E1" o "E2".

1. El termostato esta en posición demasiado bajo
2. La conexión eléctrica esta rota entre Principal PCB y el motor

1. Gire termostato a una posición más alta
2. Inspeccione todas conexiones eléctricas. Vea Diagramas de Alambre

La lámpara parpadea o pantalla de LED muestran "E3"

1. El Interruptor del termostato ha fallado

1. Reemplace Interruptor de Termostato. Vea Diagramas de Alambre

Combustión pobre / mala

1. Las llamas que extienden más allá de calentadora
2. Salida baja de calor

1. Disminuya Presión de Bomba
2. Aumente Presión de Bomba

La calentadora no prende y la lámpara no es encendida

1. El sensor del límite de la temperatura ha recalentado
2. Ningún poder eléctrico
3. Un Fusible esta pinchazo
4. La conexión eléctrica impropia entre Sensor del límite de temperatura y Tablero de circuitos

1. Empuje el Interruptor de Poder a "OFF" y permita calentadora para refrescar durante 10 minutos. Empuje el Interruptor Poder para apoyar a "ON"
2. Verifique el cable de alimentación y el alargador para asegurar de conexión apropiada. Pruebe alimentación
3. Cheque/reemplaza el Fusible
4. Inspeccione todas conexiones eléctricas. Vea Diagramas de Alambre



GARANTIA LIMITADA

Garantía limitada de protemp. Por un año. Mi-T-M le garantiza al Usuario original que los modelos tratados en este manual de los calentadores de aceite portátiles Protemp® están libres de defectos en la mano de obra o el material, cuando se les somete a uso Normal, por un año a partir de la fecha de compra. Cualquier parte que se halle defectuosa, ya sea en el material o en la mano de obra, y sea devuelta (con los costos de envío pagados por Adelantado) a un centro de servicio autorizado designado por Mi-T-M, será reparada o reemplazada (no Existe otra posibilidad) según lo determine Mi-T-M. Para obtener información sobre los procedimientos de reclamo cubiertos en la garantía limitada, vea la sección "atención oportuna" que aparece más adelante. Esta garantía limitada confiere al comprador derechos legales específicos que varían de Jurisdicción a jurisdicción.

Limites de responsabilidad. En la medida en que las leyes aplicables lo permitan, la responsabilidad de Mi-T-M por los daños emergentes o incidentales está expresamente excluida. La responsabilidad de Mi-T-M expresamente está limitada y no puede exceder el precio de compra pagado por el artículo. Exclusión de responsabilidad de la garantía. Se han hecho esfuerzos diligentes para proporcionar información e ilustraciones apropiadas sobre el producto en este manual; sin embargo, esta información y las ilustraciones tienen como único propósito la identificación del producto y no EX-PRESAN NI IMPLICAN GARANTÍA DE QUE LOS PRODUCTOS SEAN VENDIBLES O ADECUADOS PARA UN PROPÓSITO EN PARTICULAR NI QUE SE AJUSTAN NECESARIAMENTE A LAS ILUSTRACIONES O DESCRIPCIONES. CON EXCEPCIÓN DE LO QUE SE ESTABLECE A CONTINUACIÓN, MI-T-M NO HACE NI AUTORIZA NINGUNA GARANTÍA O AFIRMACIÓN DE HECHO, EXPRESA O IMPLÍCITA, QUE NO SEA ESTIPULADA EN LA "GARANTÍA LIMITADA" ANTERIOR. Consejo Técnico y Recomendaciones, Exclusiones de Responsabilidad. A pesar de las prácticas, negociaciones o usos comerciales realizados previamente, las ventas no deberán incluir el suministro de consejo técnico o asistencia o diseño del sistema. Mi-T-M no asume ninguna obligación o responsabilidad por recomendaciones, opiniones o consejos no autorizados sobre la elección, instalación o uso de los productos. Adaptación del Producto. Muchas jurisdicciones tienen códigos o regulaciones que rigen la venta, la construcción, la instalación y/o el uso de productos para ciertos propósitos que pueden variar con respecto a los aplicables a las zonas vecinas. Si bien se trata de que los productos Mi-T-M cumplan con dichos códigos, no se puede garantizar su conformidad y no se puede hacer responsable por la forma en que se instale o use su producto. Antes de comprar y usar el producto, revise su aplicación y todos los códigos y regulaciones nacionales y locales aplicables y asegúrese de que el producto, la instalación y el uso los cumplan. Ciertos aspectos de limitación de responsabilidad no se aplican a productos al consumidor; es decir (a) algunas jurisdicciones no permiten la exclusión ni limitación de daños incidentales o consecuentes, de modo que las limitaciones o exclusiones anteriores quizás no apliquen en su caso; (b) asimismo, algunas jurisdicciones no permiten limitar el plazo de una garantía implícita, por lo tanto, la limitación anterior quizás no aplique en su caso; y (c) por ley, mientras la Garantía Limitada esté vigente no podrán excluirse ni limitarse en modo alguno ninguna garantía implícita de comercialización o de idoneidad para un propósito en particular aplicables a los productos al consumidor adquiridos por éste. Atención Oportuna. Se hará un esfuerzo de buena fe para corregir puntualmente, o hacer otros ajustes, con respecto a cualquier producto que resulte defectuoso dentro de los términos de esta garantía limitada. En el caso de que encuentre un producto defectuoso y que esté cubierto dentro de los límites de esta garantía haga el favor de escribir primero, o llame, al distribuidor a quien le compró el producto. El distribuidor le dará las instrucciones adicionales. Si no puede resolver el problema en forma satisfactoria, escriba a Mi-T-M a la dirección a continuación, dando el nombre del distribuidor, su dirección, la fecha y el número de la factura del distribuidor y describa la naturaleza del defecto. La propiedad del artículo y el riesgo de pérdida pasan al comprador en el momento de la entrega del artículo a la compañía de transporte. Si el producto se daña durante el transporte, debe presentar su reclamo a la compañía transportista.

**For Service or Warranty Consideration, contact
Mi-T-M® Corporation, 8650 Enterprise Drive, Peosta, IA 52068
563-556-7484 / 800-553-9053 / Fax 563-556-1235
Monday - Friday 8:00 a.m. - 5:00 p.m. CST**

Manufactured by Mi-T-M
8650 Enterprise Drive, Peosta IA 52068
563-556-7484/ Fax 563-556-1235