

CE



*BILLY GOAT[®] BC2600 Mechanical Series Brush
Cutter
Owner's Manual*



CONTENTS

Specifications and Sound/Vibration 3
Instruction Labels 4
Assembly Instructions 5-6
Operation 7-9
Maintenance 10-16
Battery maintenance 17
Troubleshooting 18
Illustrated Parts List 19-26



BC 2600 SERIES SPECIFICATIONS

	BC2600ICM	BC2600HM	BC2600HMF
Engine Type	Briggs and Stratton	Honda GX390	Honda GX390
Model Number	219972 0151 F1	GX390UTQA2	GX390UTQA2
Displacement	344 cc	390 cc	390 cc
Fuel Capacity	3.0 qt (2.80 L)	3.0 qt (2.80 L)	3.0 qt (2.80 L)
Oil Capacity	1.5 qt (1.4L)	1.5 qt (1.4L)	1.5 qt (1.4L)
Unit Weight	316 lb (147.4 kg)	316 lb (147.4 kg)	326 lb (147.4 kg)
Overall Length	72 in (1.83 m)	72 in (1.83 m)	72 in (1.83 m)
Overall Width	31 in (0.78 m)	31 in (0.78 m)	31 in (0.78 m)
Overall Height	48 in (1.21 m)	48 in (1.21 m)	48 in (1.21 m)
Maximum Operating Slope	15°	20°	20°

SOUND DATA



SOUND LEVEL 80 Dba at Operator's position

100 dB

Sound tests were conducted in accordance with 2000/14/EEC and were performed on 9/6/13 under the conditions listed below.

NOTE

Sound power level listed is the highest value for any model covered in this manual. Please refer to serial plate on the unit for the sound power level for your model.

General Conditions:	Sunny
Temperature:	70°F (21°C)
Wind Speed:	6 mph (9.7kph)
Wind Direction:	South Southeast
Humidity:	73%
Barometric Pressure:	30.12" Hg (102 kPa)

VIBRATION DATA

VIBRATION LEVEL .2g (1.84 m/s²)

Vibration levels at the operator's handles were measured in the vertical, lateral and longitudinal directions using calibrated vibration test equipment. Tests were performed on 11/30/11 under the conditions listed below.

General Conditions:	Sunny
Temperature:	70°F (21°C)
Wind Speed:	6 mph (9.7 kph)
Wind Direction:	South Southeast
Humidity:	73%
Barometric Pressure:	30.12" Hg (102 kPa)

INSTRUCTION LABELS

The labels shown below were installed on your BILLY GOAT[®] Mechanical Brush Cutter. If any labels are damaged or missing, replace them before operating this equipment. Item numbers from the Illustrated Parts List and part numbers are provided for convenience in ordering replacement labels. The correct position for each label may be determined by referring to the Figure and Item numbers shown.

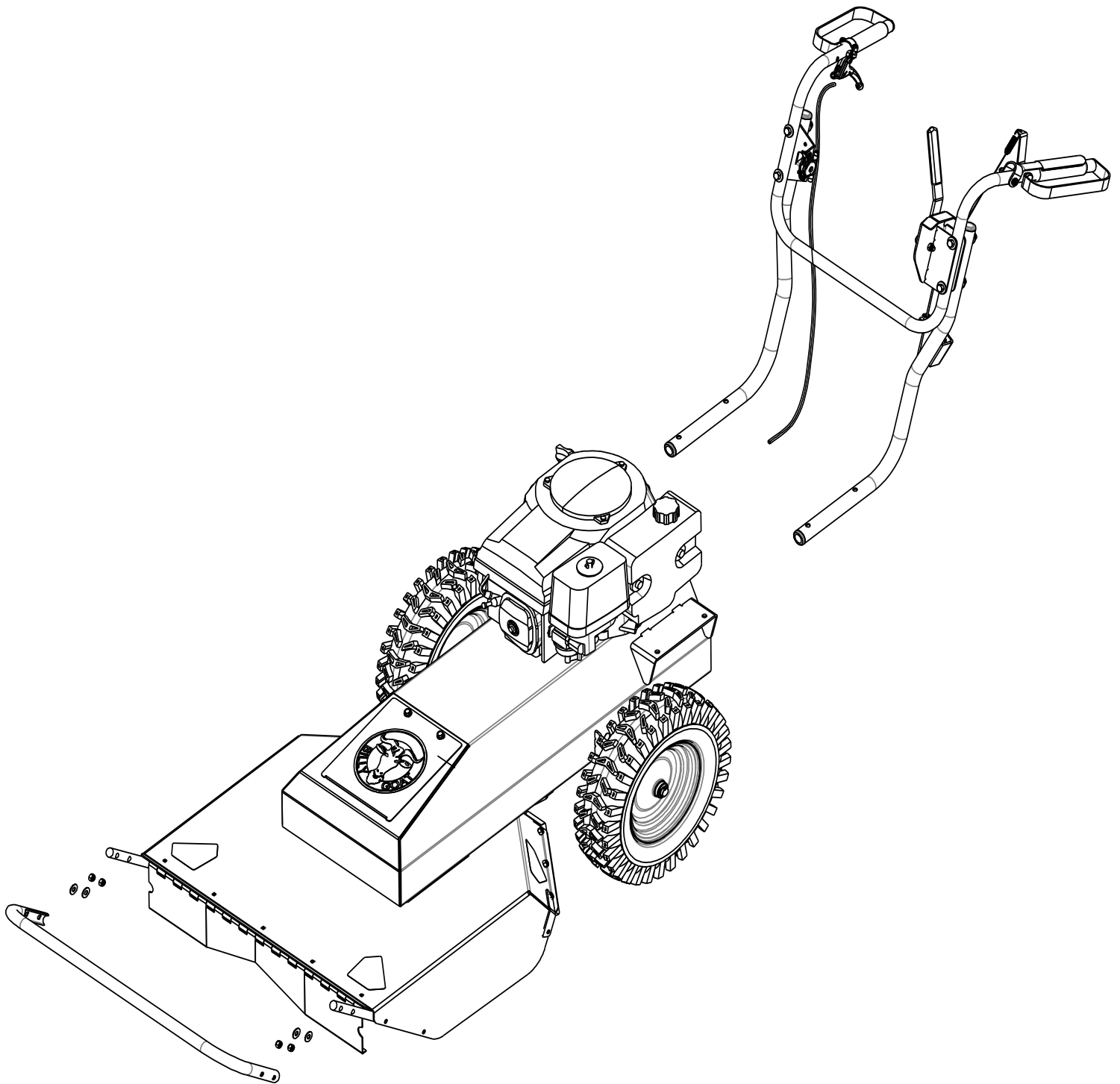
<p>PN 100261 (Item 88)</p>	<p>PN 100346 (Item 68)</p>	<p>PN 501503 (Item 74)</p>	<p>PN 400424 (Item 53)</p>
<p>PN 810736 (Item 76)</p>	<p>PN 100256 (Item 123)</p>	<p>PN 900327 (Item 122)</p>	<p>PN 500177 (Item 86)</p>

<p>PN 500168 (Item 72)</p>

--	--

ENGINE LABELS

<p>Honda</p>	<p>Briggs and Stratton</p>	



Brush Cutter Assembly Drawing



ASSEMBLY INSTRUCTIONS

Your BILLY GOAT® BC Self-Propelled Mechanical Brush Cutter was shipped in one carton, completely assembled except for the upper handle assembly and the front guard bar. Mounting hardware for the handle and guard bar is temporarily installed on the lower handle and the front of the deck assembly. The throttle cable hardware is located on the bracket on the right side of the handle



READ all safety instructions before assembling unit.

NOTE

Numbers in parenthesis () refer to item numbers in the parts list.

1. Remove unit from carton. Make sure the following items that have been packed with unit:

- Upper Handle Assembly, P/N 501010
- Guard Bar, P/N 501403
- Owner's Manual, P/N 501513
- General Safety and Warnings Manual 100296
- Honda or Briggs and Stratton Engine Manual
- Warranty Card, P/N 400972
- Ty-Wraps (4 ea)
- Screwcap 3/8" – 16 X 2" P/N 8041054 (qty 4)
- Washer 3/8" flat P/N 8171004 (qty 4)
- Nut Lock 3/8"-16 P/N 8160003 (qty 4)
- Nut lock #10-24 hex P/N 8164005 (qty 2)
- Screw machine flat HD Phil P/N 830514 (qty 2)
- Washer 5/16" flat P/N 8171003 (qty 4)
- Bolt carriage 5/16"-18 x 1 3/4" P/N 8024043 (qty 4)
- Nut Lock 5/18"-18 hex ZP P/N 8160002 (qty 4)
- Declaration of conformity P/N 501506 (qty 1)



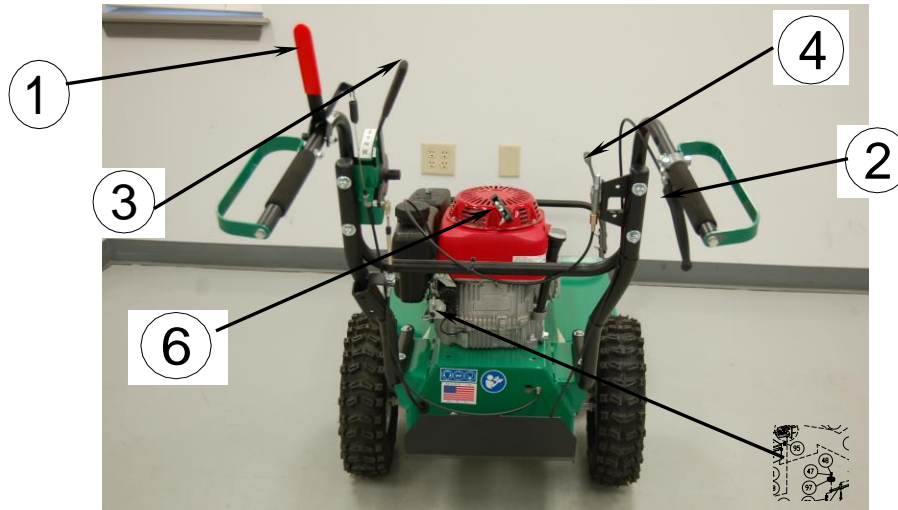
WARNING: DISCONNECT spark plug wire before assembling unit.

2. Remove mounting hardware from the hardware bag.
3. Attach the handle to the engine base with the items 62, 97, and 119.
4. Tighten mounting hardware on handle braces (5 and 6).
5. Attach guard bar (16) to Skid bar by installing the side bolts into the top two holes on the skids with items 103, 104 and 116.
6. Attach the throttle (30) to the right hand bracket (27) using the hardware (items 63 and 64). Tighten securely and make sure the cable isn't binding.
7. Attach the Blade drive cable to the lever and seat the plastic insert into the bracket on the left side of the handle
8. Secure the drive and blade cables with the ty-wraps provided
9. Reconnect spark plug wire.

OPERATION

OPERATOR CONTROLS

The operator's station is at the rear of the machine between the handlebars. The operator should STAND in a position to allow both handlebars to be grasped firmly and which allows sufficient leverage to steer the machine. Operator's controls are shown below.



Operator Control Locations

- | | | | |
|---|-------------------------|---|--------------|
| 1 | Blade Clutch Lever | 5 | Choke |
| 2 | Forward Lever | 6 | Pull Starter |
| 3 | Speed/direction shifter | | |
| 4 | Throttle | | |

STARTING



CHECK engine oil level before operating machine.

1. Place equipment on a level, firm surface that is free of rocks or other debris.
2. Place throttle in Fast position.



Throttle

3. Pull choke out (Honda engine only).



Choke



WARNING: DO NOT START equipment with drive or blade clutch engaged.

5. Pull starter rope to start engine.



WARNING: PULL STARTER CORD slowly until resistance is felt. Then pull cord rapidly to avoid kickback.

6. Push choke in (Honda engine only).
7. Pull throttle control back to and allow engine to reach correct operating speed.

CUTTING

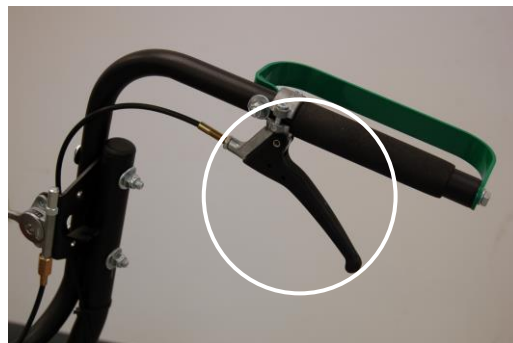
The best performance is achieved when cutting in dry conditions. The quality of the cut is directly related to ground speed during cutting. Under most conditions cutting should be done at a slower ground speed. Fast speeds should be reserved for conditions where weeds and brush are thinned out or not very tall. If the quality of the cut is not satisfactory, attempt at slower speeds.

1. Press blade clutch handle down to engage blade. Allow blade to spin up to normal operating speed.



Blade Clutch Lever

2. Pull Drive lever up to engage transaxle in desired direction.



Forward Drive Lever (right hand)

SHUT DOWN

1. Release drive lever to disengage transaxle.
2. Release blade clutch handle to disengage blade.
3. Move the throttle to the slowest possible position on the throttle control.

CLEARING A CLOGGED CUTTING DECK



WARNING: **DISCONNECT** spark plug wire before servicing unit.

1. Shut engine off and wait for blade to stop completely.
2. Disconnect spark plug wire.
3. Remove clog from cutting deck.



WEAR durable gloves. Clog may contain sharp materials.

4. Reconnect spark plug wire.



MAINTENANCE

PERIODIC MAINTENANCE

Periodic maintenance should be performed at the following intervals:

Maintenance Operation	Every Use	Daily or Every 5 Hours	Every 25 Hours	Every 50 Hours	Every 100-150 Hours
Inspect for worn or damaged parts.	•				
Check for excessive vibration		•			
Inspect for loose parts.		•			
Sharpen blade. Note: the nut will need to be replaced when blade is removed			•		
Inspect belts for wear.			•		
Lubricate throttle control cable and linkage.			•		
Check blade clutch cable tension.				•	
Apply anti-seize compound to rear axles.				•	
Replace blade drive and transaxle drive belts.					•

COMMON REPLACEMENT PARTS

- Blade. P/N 501601. Original equipment replacement blade kit.
- Transaxle Drive Belt. P/N 501221. Original equipment replacement drive belt.
- Blade Drive Belt. P/N 501220. Original equipment replacement drive belt.
- Skid. P/N 501407. Side deck skid.
- Throttle Control Assembly. Throttle control including cable.

CLEANING

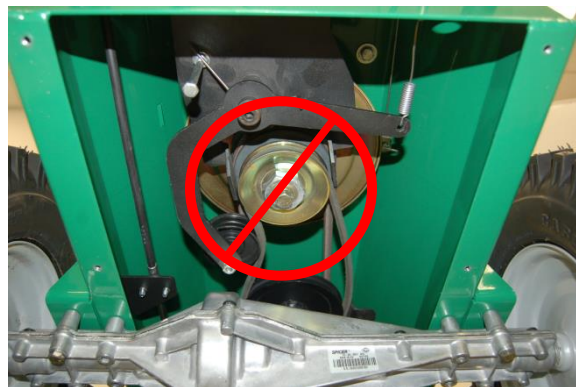
Your BILLY GOAT® Brush Cutter should be cleaned periodically to ensure optimum performance and service life. Clogs and debris should be removed from the blade area and debris should be removed from the engine cooling fins. A garden hose or pressure washer may be used for cleaning.



CAUTION:



DO NOT SPRAY WATER DIRECTLY ON THE BLADE CLUTCH WHEN USING A POWER WASHER. SEE FIGURE BELOW.



BLADE REMOVAL AND SHARPENING



READ all safety instructions before servicing unit.

NOTE

Numbers in parenthesis (N) refers to the item number in Illustrated Parts List.



WARNING:

DISCONNECT spark plug wire before servicing unit.

1. Disconnect spark plug wire.
2. Lift and support front of unit to allow access to underside.



WARNING:

UNIT IS HEAVY. Make sure support is adequate to support weight of machine.

3. Block blade to prevent it from rotating during removal.
4. Remove blade nut (37), and friction washer (35).
5. Remove blade (52) and install replacement blade.

NOTE

When replacing the blade use BILLY GOAT Industries PN 501224 only.

NOTE

When sharpening blade make sure to sharpen all cutting edges. If the lock nut is removed and replaced more than once, it should be replaced with a new lock nut (P/N 8160009).

6. Attach new blade with new blade lock nut (37), and new friction washer (35) removed earlier included with your new blade.

NOTE

Inspect fasteners for wear and replace if necessary.

7. Torque blade lock nut to 30-40 ft-lbs.
8. Reconnect spark plug wire.



BLADE DRIVE BELT TENSION



READ all safety instructions before servicing unit.



WARNING:

DISCONNECT spark plug wire before servicing unit.

NOTE

The Blade Drive belt is under constant tension by the idler arm on the deck

1. Disconnect spark plug wire.
2. Loosen two screws (75) holding belt deck cover (29) and remove the cover.
3. Examine condition of belt and amount of tension on belt.
4. If the idler is not providing enough tension inspect the spring (item 58) attaching it to the spindle base. If not enough tension is being put on the arm, replace the spring.
7. Replace engine base door (29) and secure with screws removed earlier.
8. Reconnect spark plug wire.
9. Check belt tension by operating unit under conditions that caused belt slippage. If belt continues to slip it may require replacement before operation may continue.

BLADE CLUTCH ADJUSTMENT



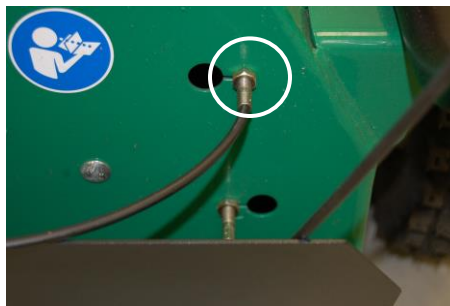
READ all safety instructions before servicing unit.



WARNING:

DISCONNECT spark plug wire before servicing unit.

1. Disconnect spark plug wire.
2. As the clutch/brake wears or begins slipping or squealing, adjustment may be required to maintain proper cable tension and clutch engagement. A properly adjusted blade clutch should require 10 lbs. of force to depress the end of the clutch lever. The blade clutch cable spring should stretch 1/4" to 3/8" (6.4-9.5 mm).
3. Adjust cable tension by tightening or loosening cable adjustment nut on rear of engine base (see below). Be sure to leave enough slack in cable to allow blade brake to engage.



Blade Cable Adjustment



CAUTION:

If clutch continues to slip or squeal, do not operate equipment until adequate adjustment or repair has been performed. Improper adjustment can cause clutch to overheat and slip, greatly reducing performance and clutch life.

4. Reconnect spark plug wire.

TRANSAXLE DRIVE BELT REMOVAL AND REPLACEMENT



READ all safety instructions before servicing unit.

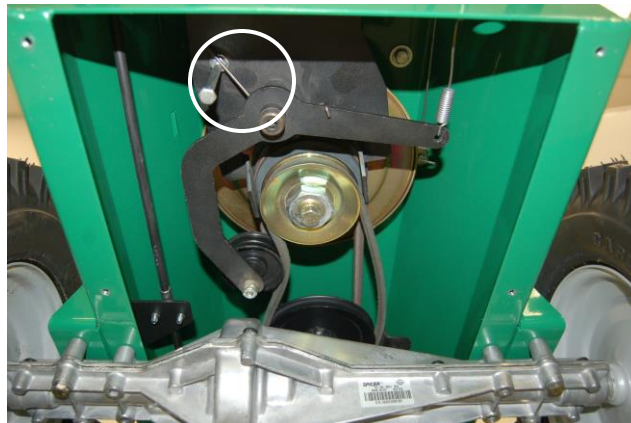
NOTE

Numbers in parenthesis (N) refers to the item number in Illustrated Parts List.



WARNING: DISCONNECT spark plug wire before servicing unit.

1. Disconnect spark plug wire.
2. Lift and support the rear of the unit to allow access to the underside
3. Unattach the spring (item 43) from the bolt (item 107) that is keeping tension on the drive belt.
4. Walk the belt (item 22) off of the clutch (item 3) by slowly pulling the engine over. **WARNING:** use caution not to pinch fingers between the belt and clutch.
5. Slip the belt off of the transaxle pulley.
6. Replace the belt in reverse order. **NOTE:** make sure the belt is seated properly in the clutch and transaxle and make sure that it does not bend over the fan blades on the transaxle.



BLADE DRIVE BELT REMOVAL AND REPLACEMENT



READ all safety instructions before servicing unit.



WARNING: DISCONNECT spark plug wire before servicing unit.

1. Disconnect spark plug wire.
2. Lift and support rear of unit to allow access to underside.



WARNING: UNIT IS HEAVY. Make sure support is adequate to support weight of machine.

- Loosen the two screws (75) holding deck belt cover (29) and remove cover.
- Follow the steps 3 and 4 in the Transaxle drive belt removal section to remove the Transaxle drive belt.

NOTE

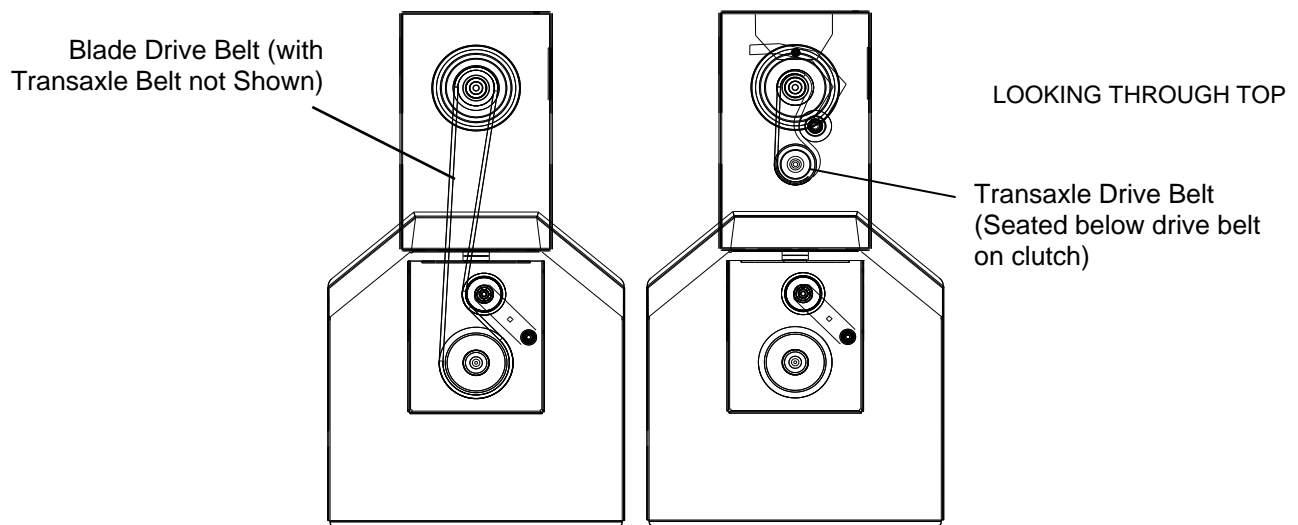
It may be necessary to pry idler pulley (18) away from its original position to release belt, using a ratchet with an extension in the square hole on the idler arm should allow the proper leverage to pull it off the belt.

- Relieve the tension on the blade belt by pulling the deck idler arm off of the belt. Then walk the belt off of the deck pulley.
- Feed the belt back to the engine base then slip the belt off of the clutch.
- Install the new belt in reverse order making sure the belt is seated properly in the clutch.



Removing tension on the blade belt

- Reconnect spark plug wire.



Belt Routing Diagram
(Top View of Machine)

TRANSAXLE DRIVE ADJUSTMENT



READ all safety instructions before servicing unit.

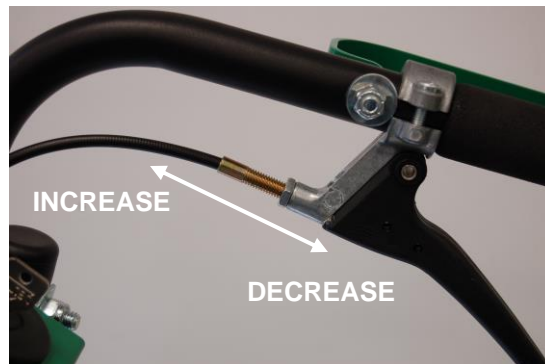


WARNING: **DISCONNECT** spark plug wire before servicing unit.

1. Disconnect spark plug wire.
2. Adjustments to cable tension are made at the barrel entering the Drive Control Levers.
3. Adjust cable tension by tightening or loosening cable adjustment barrel on rear of engine base (see below).

NOTE

Moving the cable adjustment barrel **OUT** increases tension. Moving the barrel **IN** decreases tension. Increasing the tension too much will cause the drive to stay engaged whereas not enough will cause it not to engage when the lever is pulled.



Transaxle Cable Adjustment

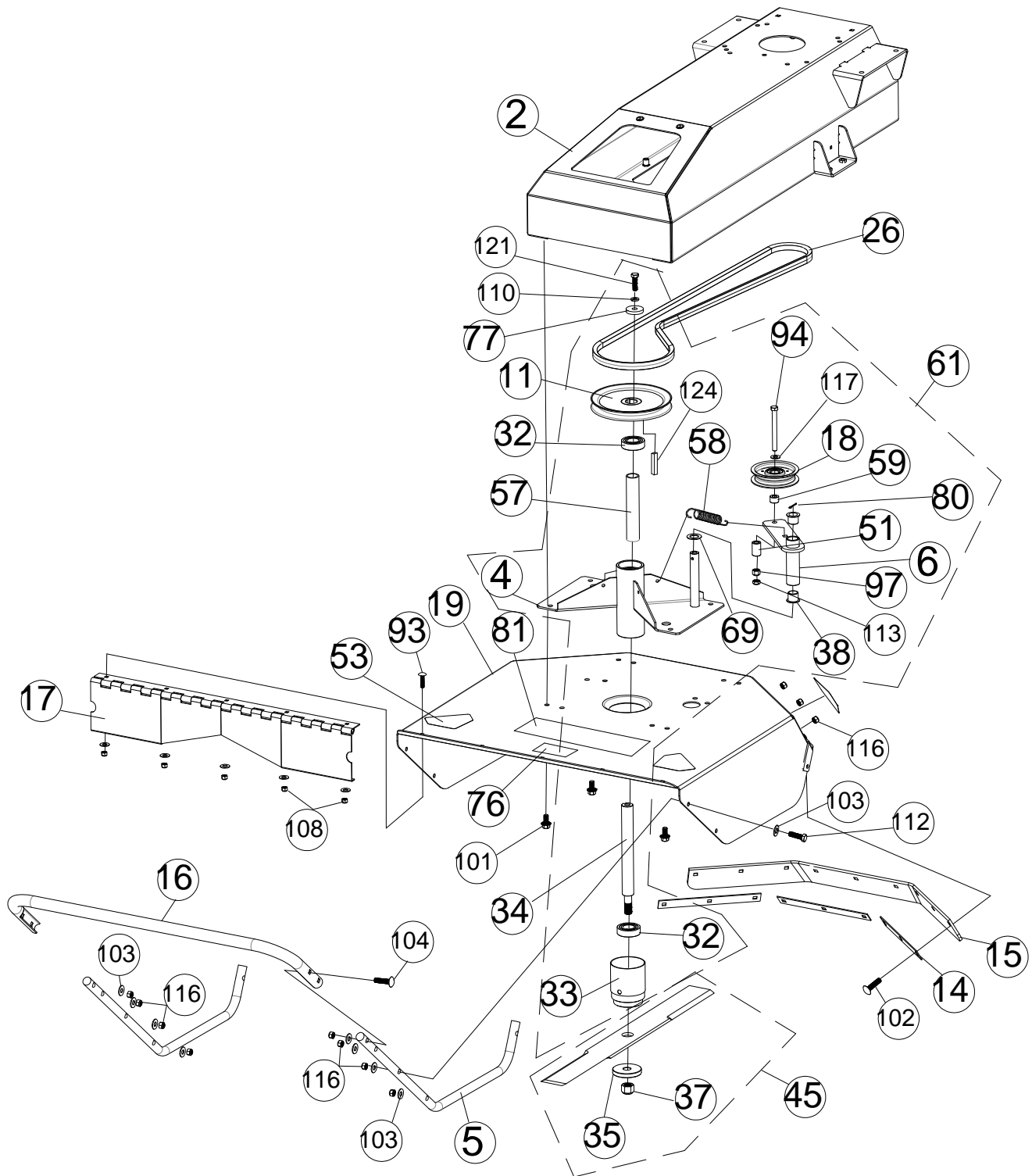
4. Reconnect spark plug wire.



TROUBLESHOOTING

Problem	Possible Cause	Corrective Action
Engine will not start.	Throttle is set to Slow/Stop position.	Move throttle to fast position.
	Out of gasoline.	Fill gas tank.
	Old or contaminated gasoline.	Drain gas tank and fill with fresh gasoline.
	Spark plug wire disconnected.	Connect spark plug wire.
	Dirty air cleaner.	Clean or replace air cleaner.
Will not cut or cutting performance is poor.	Blade drive cable tension incorrect.	Adjust blade drive cable tension.
	Dull blade.	Sharpen or replace blade. Note: nut will need to be replaced when blade is removed
	Clogged deck.	Unclog deck.
	Excessive debris built up on or blocking blade.	Clear debris from blade area.
	Engine RPM set too low.	Check engine RPM.
Abnormal vibrations.	Blade loose or out of balance.	Check blade for tightness. Rebalance if necessary.
	Engine loose.	Check engine mounting bolts.
	Blade drive belt worn.	Replace blade drive belt.
Belt slips or smokes.	Belt tension too low.	Adjust belt tension.
	Belt worn or stretched.	Replace belt.
	Pulleys worn or damaged.	Replace pulleys.
Clutch slips or squeals.	Clutch cable tension too low.	Replace spring on idler arm.
	Clutch worn or damaged.	Replace worn or defective clutch assembly parts.
Blade brake will not engage.	Inadequate slack in clutch cable.	Adjust clutch cable.
	Clutch worn or damaged.	Replace clutch/brake assembly.
Transaxle will not engage.	Clutch lever not engaging clutch.	Adjust clutch cable.
	Clutch cable defective.	Replace cable.
	Belt worn or broken.	Replace belt.
Transaxle will not disengage.	Clutch cable out of adjustment.	Adjust clutch cable.
Engine will not turn over.	Defective blade clutch.	Replace clutch.
	Engine problem.	Contact an authorized servicing dealer for your engine.

ILLUSTRATED PARTS LIST

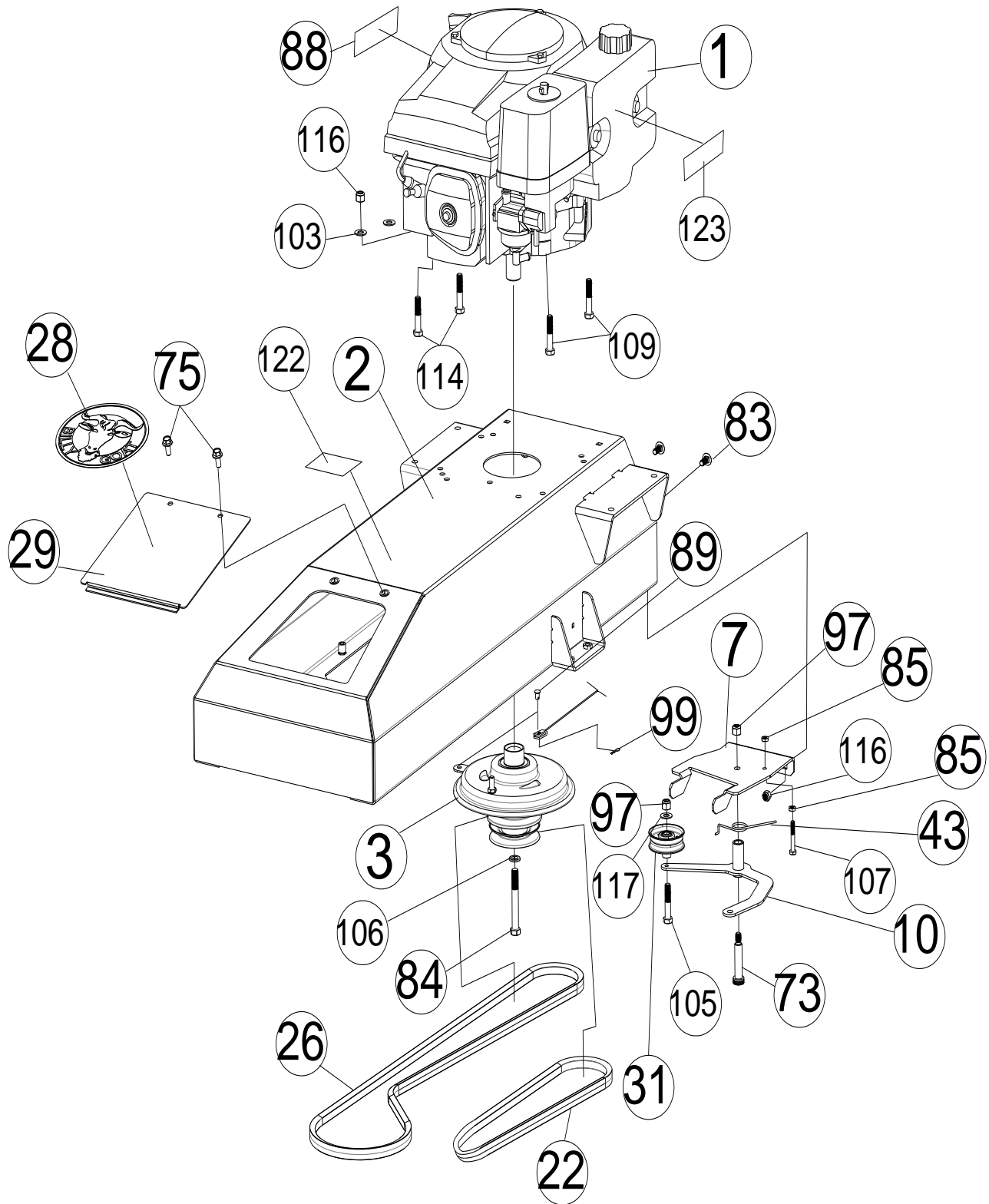


Deck Assembly



BC2600 Mech Series Brush Cutter Owner's Manual

Item no.	Description	BC2600ICM		BC2600HM		BC2600HMF	
		Part no.	Qty	Part no.	Qty	Part no.	Qty
2	BASE ENGINE BC26 FIXED WA	501120	1	501120	1	501120	1
4	BRACKET DECK MOUNT WA BC	501118	1	501118	1	501118	1
5	SKID BC26	501407	2	501407	2	501407	2
6	ARM IDLER DECK WA BC	501103	1	501103	1	501103	1
11	PULLEY 7" OD X 1.00" BORE	501308	1	501308	1	501308	1
14	PLATE CLAMP SKIRTING BC26	501239	3	501239	3	501239	3
15	DEFLECTOR RUBBER BC26	501231	1	501231	1	501231	1
16	BAR GUARD BC26	501403	1	501403	1	501403	1
17	HINGE DEFLECTOR BC26	501211	1	501211	1	501211	1
18	PULLEY IDLER 4.00" OD X 3/8" BORE	500113	1	500113	1	500113	1
19	DECK WA BC26	501102	1	501102	1	501102	1
26	BELT 6972 POWERATED	501220	1	501220	1	501220	1
32	BEARING 1.00" SEALED PRESS IN	501302	2	501302	2	501302	2
33	ADAPTER BLADE WA BC26	501106	1	501106	1	501106	1
34	SHAFT DRIVE BLADE BC2600	501312	1	501312	1	501312	1
35	WASHER FRICTION BLADE	501305	1	501305	1	501305	1
37	NUT LOCK NYLON INSERT 5/8"-18 GR 2	8160009	1	8160009	1	8160009	1
38	BUSHING PIVOT LIFT	360138	2	360138	2	360138	2
45	BLADE KIT SERVICE	501601	1	501601	1	501601	1
51	BUSHING PIVOT FRAME AE	360183	2	360183	2	360183	2
53	LABEL DANGER	900327	4	900327	4	900327	4
57	SPACER SPINDLE BEARING BC2600	501245	1	501245	1	501245	1
58	SPRING IDLER	501261	1	501261	1	501261	1
59	TUBE PIVOT IDLER VQ	830526	1	830526	1	830526	1
61	SPINDLE ASSY BC26 FIXED	501608	1	501608	1	501608	1
69	WASHER .765" ID X 1.25" OD X .06"	850238	2	850238	2	850238	2
76	LABEL DANGER FLYING DEBRIS	810736	1	810736	1	810736	1
77	WASHER 1.5 OD X .453 ID X .25 THK	440153	1	440153	1	440153	1
80	PIN COTTER 1/8" X 1"	8197031	1	8197031	1	8197031	1
81	LABEL OUTBACK BC26 MECH	501501	1	501501	1	501501	1
93	BOLT CARRIAGE 1/4"-20 X 3/4" ZP	8024021	7	8024021	7	8024021	7
94	SCREWCAP 3/8"- 16 X 3 3/4" HCS ZP	8041061	1	8041061	1	8041061	1
97	NUT LOCK 3/8"-16 HEX	8160003	11	8160003	11	8160003	11
101	SER HEX WSHR FLNG SCR .375" - 16 X .75"	791080	6	791080	6	791080	6
102	BOLT CARRIAGE 5/16"- 18 X 1" ZP	8024040	9	8024040	9	8024040	9
103	WASHER 5/16" FLAT ZP	8171003	18	8171003	18	8171003	18
104	BOLT CARRIAGE 5/16"- 18 X 1 1/4" ZP	8024041	4	8024041	4	8024041	4
108	NUT LOCK 1/4"-20 HEX ZP	8160001	7	8160001	7	8160001	7
110	WASHER LOCK 3/8" S/T MED	8177012	1	8177012	1	8177012	1
112	SCREWCAP 5/16"-18 X 1 1/2" HCS ZP	8041030	6	8041030	6	8041030	6
113	NUT LOCK 3/8"- 16 LT WT TH ZP	8161042	2	8161042	2	8161042	2
116	NUT LOCK 5/16"-18 HEX ZP	8160002	24	8160002	26	8160002	26
117	WASHER 3/8" SAE	8172009	2	8172009	2	8172009	2
121	SCREWCAP 3/8"-16 1 1/4" HCS ZP	8041051	1	8041051	1	8041051	1
124	KEY 1/4" SQ X 3/4"	9201109	1	9201109	1	9201109	1

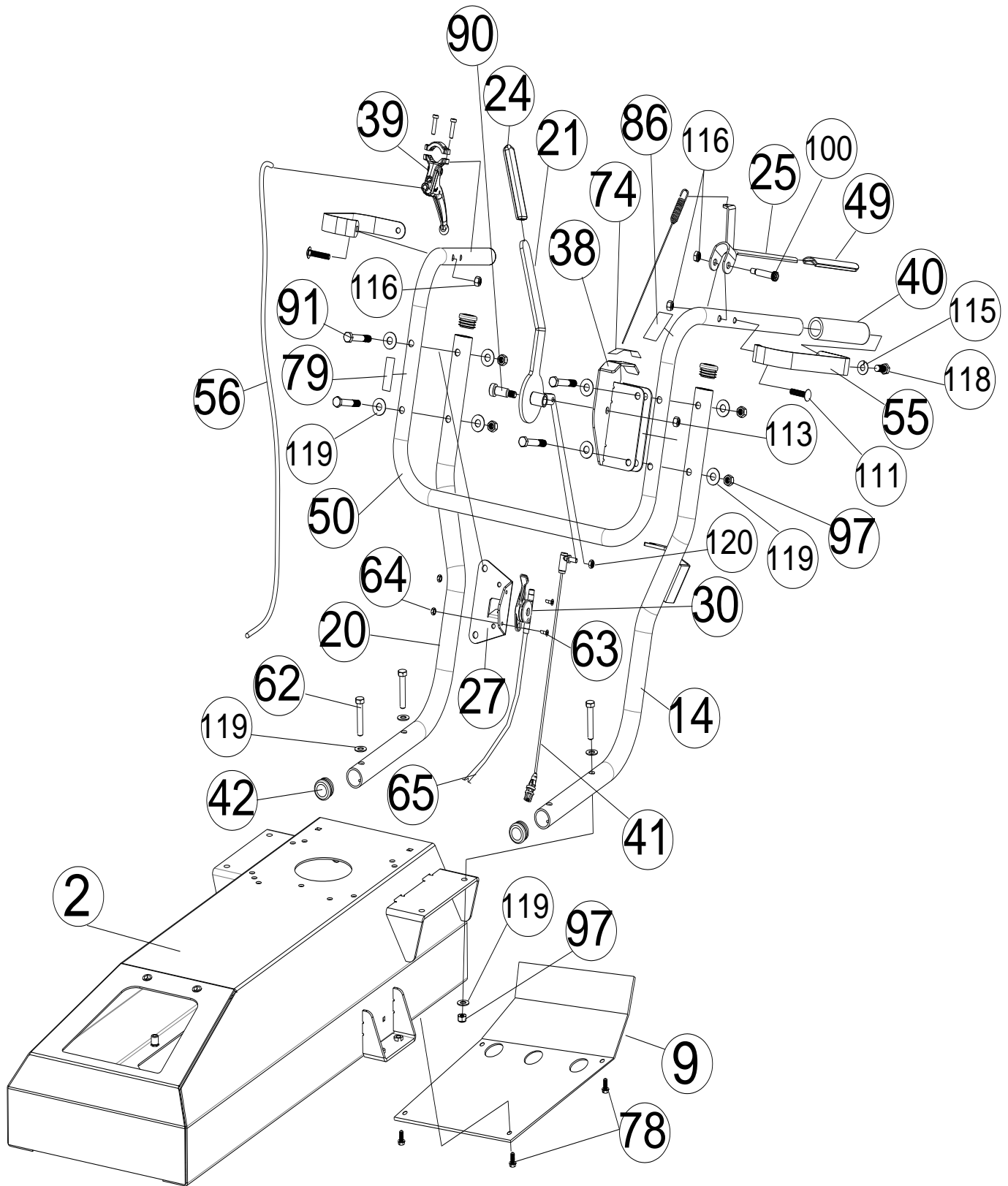


Engine Assembly



BC2600 Mech Series Brush Cutter Owner's Manual

Item no.	Description	BC2600ICM		BC2600HM		BC2600HMF	
		Part no.	Qty	Part no.	Qty	Part no.	Qty
1	ENGINE 12.5 HP BRIGGS OHV VERT	520046	1	-	-	-	-
	ENGINE 13HP HONDA GX390UTQA2	-	-	500334	1	500334	1
2	BASE ENGINE BC26 FIXED WA	501120	1	501120	1	501120	1
3	CLUTCH	501223	1	501223	1	501223	1
7	BRACKET BELT TIGHTEN BC26	501249	1	501249	1	501249	1
10	ARM IDLER DRIVE MECH WA	501117	1	501117	1	501117	1
22	BELT 6829 POWERATED	501221	1	501221	1	501221	1
26	BELT 6972 POWERATED	501220	1	501220	1	501220	1
28	LABEL PRODUCT DECAL LG CIRCLE	430303	1	430303	1	430303	1
29	DOOR BASE ENGINE BC	500233	1	500233	1	500233	1
31	PULLEY IDLER ARM HP	521121	1	521121	1	521121	1
43	SPRING TRANS IDLER	510142	1	510142	1	510142	1
73	BOLT SHOULDER 1/2" X 2"	520031	1	520031	1	520031	1
75	SER HEX WSHR FLNG SCR 5/16"-18 X 3/4"	351264	4	351264	4	351264	4
83	BOLT CARRIAGE 5/16"-18 X 3/4" ZP	8024039	2	8024039	2	8024039	2
84	SCREWCAP 7/16" -20 X 3 1/2" GR. 8 W/PATCH	440150	1	440150	1	440150	1
85	NUT JAM 1/4" NC HEX	8143001	2	8143001	2	8143001	2
88	LABEL WARNING FUEL EN/SP	100261	1	-	-	-	-
89	PIN CLEVIS .25 X .050	440124	1	440124	1	440124	1
97	NUT LOCK 3/8"-16 HEX	8160003	11	8160003	11	8160003	11
99	PIN HITCH CLIP .051 X 3/4"	440193	1	440193	1	440193	1
103	WASHER 5/16" FLAT ZP	8171003	18	8171003	18	8171003	18
105	SCREWCAP 3/8" -16 X 2" HCS ZP	8041054	1	8041054	1	8041054	1
106	WASHER LOCK 7/16" S/T MED	8177013	1	8177013	1	8177013	1
107	SCREWCAP 1/4"-20 X 1 3/4" HCS ZP	8041009	1	8041009	1	8041009	1
109	SCREW 3/8" X 1 1/2" TCS	850408	5	850408	1	850408	1
	SCREWCAP 5/16"- 24 X 1" GR. 8 ZP W/PATCH	-	-	400164	2	400164	2
114	SCREWCAP 5/16"- 18 X 1 3/4" GR. 5 HCS ZP	-	-	8041031	2	8041031	2
116	NUT LOCK 5/16"-18 HEX ZP	8160002	24	8160002	26	8160002	26
117	WASHER 3/8" SAE	8172009	2	8172009	2	8172009	2
122	LABEL GUARDS	900327	1	900327	1	900327	1
123	LABEL SPARK ARRESTOR	100256	1	100256	1	100256	1

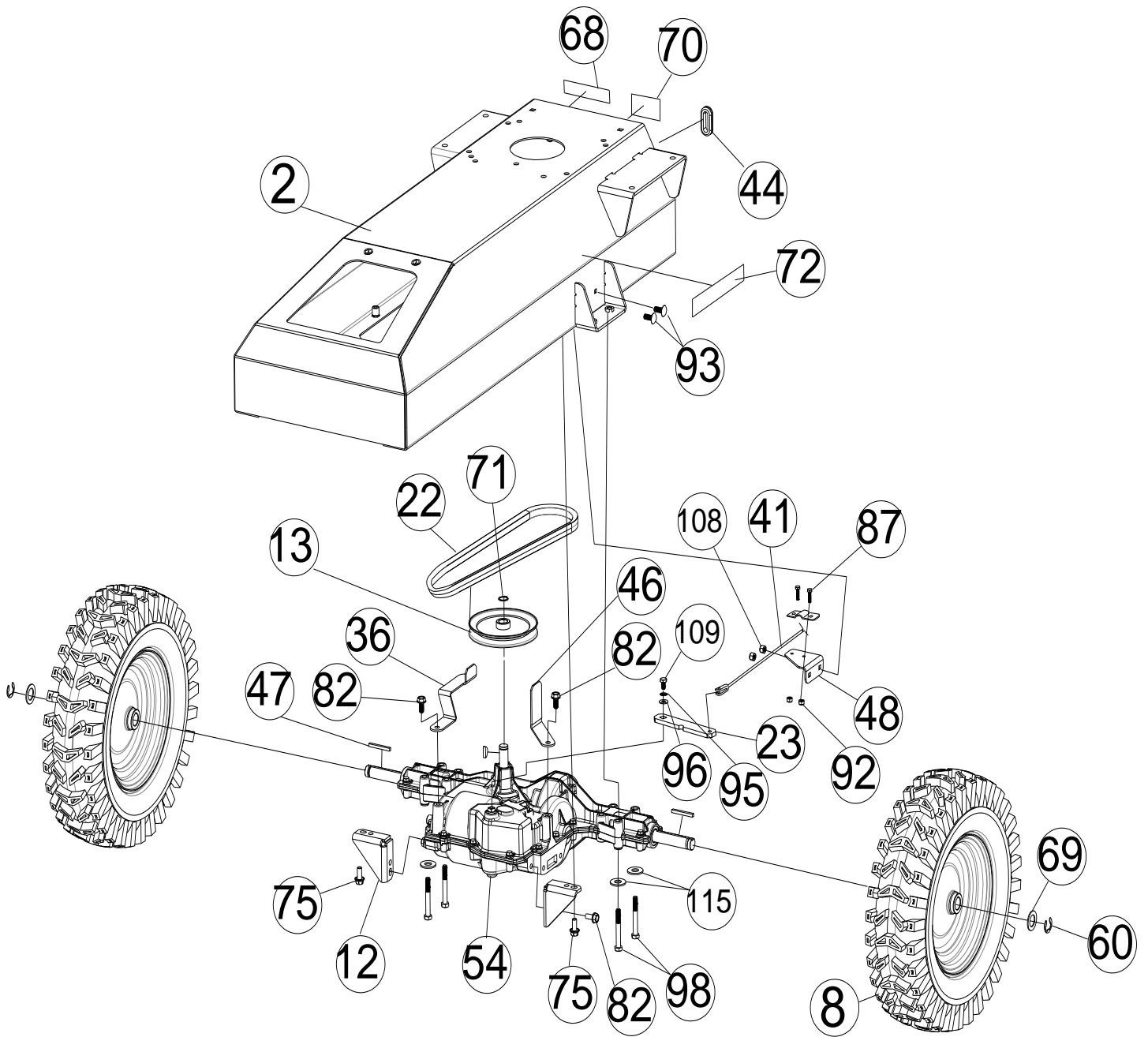


Handle Assembly



BC2600 Series Brush Cutter Owner's Manual

Item no.	Description	BC2600ICM		BC2600HM		BC2600HMF	
		Part no.	Qty	Part no.	Qty	Part no.	Qty
2	BASE ENGINE BC26 FIXED WA	501120	1	501120	1	501120	1
9	GUARD REAR BC26	501298	1	501298	1	501298	1
14	PLATE CLAMP SKIRTING BC26	501239	3	501239	3	501239	3
20	HANDLE LOWER RIGHT	501401	1	501401	1	501401	1
21	LEVER SHIFTER WA BC26	501107	1	501107	1	501107	1
24	GRIP LEVER 1" X 4.25"	840191	1	840191	1	840191	1
25	LEVER CONTROL BLADE LIGHT	500312	1	500312	1	500312	1
27	BRACKET THROTTLE BC26	501251	1	501251	1	501251	1
30	CONTROL THROTTLE	440013	1	440013	1	440013	1
38	BUSHING PIVOT LIFT	360138	2	360138	2	360138	2
39	CONTROL MAGURA OS900SP	351209	1	351209	1	351209	1
40	GRIP HANDLE 1" X 5.5"	500267	2	500267	2	500267	2
41	CABLE CONTROL SHIFTER BC26	501254	1	501254	1	501254	1
42	PLUG TUBE INSERT 1.25 OD	791056	4	791056	4	791056	4
49	GRIP LEVER 0.125" X 1" X 5" ORANGE	500379	1	500379	1	500379	1
50	HANDLE UPPER	501402	1	501402	1	501402	1
55	GUARD HAND BC26	501215	2	501215	2	501215	2
56	CABLE CLUTCH BC26	501279	1	501279	1	501279	1
62	SCREWCAP 3/8" - 16 X 2"	8041054	4	8041054	4	8041054	4
63	SCREW MACH #10 - 24 FLAT HD	830514	2	830514	2	830514	2
64	NUT LOCK LT #10 - 24 HEX	8164005	2	8164005	2	8164005	2
65	CABLE THROTTLE 31.5"	440178	1	-	-	-	-
	CABLE THROTTLE CONTROL 25.5	-	-	440014	1	440014	1
74	LABEL SHIFT BC26 MECH	501503	1	501503	1	501503	1
78	SCREW SELT TAP 1/4"-20 X 5/8 HWH TYPE F	890359	4	890359	4	890359	4
79	LABEL THROTTLE	501314	1	501314	1	501314	1
86	LABEL CLUTCH BLADE	500177	1	500177	1	500177	1
90	BOLT SHOULDER 1/2" X 1"	500114	1	500114	1	500114	1
91	SCREWCAP 3/8"-16 X 3" HCS ZP	8041058	8	8041058	8	8041058	8
97	NUT LOCK 3/8"-16 HEX	8160003	11	8160003	11	8160003	11
100	BOLT SHOULDER 3/8"- 16 X 1 1/2"	501313	1	501313	1	501313	1
111	BOLT CARRIAGE 5/16"- 18 X 1 1/2" ZP	8024042	2	8024042	2	8024042	2
113	NUT LOCK 3/8"- 16 LT WT TH ZP	8161042	2	8161042	2	8161042	2
115	WASHER LOCK 5/16" S/T MED	8177011	6	8177011	6	8177011	6
116	NUT LOCK 5/16"-18 HEX ZP	8160002	24	8160002	26	8160002	26
118	SCREWCAP 5/16"- 18 X 1"	8041028	2	8041028	2	8041028	2
119	WASHER 3/8" FC	8171004	16	8171004	16	8171004	16
120	NUT LOCK 1/4"- 28 TH ZP	8161020	1	8161020	1	8161020	1



Transaxle Drawing



BC2600 Series Brush Cutter Owner's Manual

Item no.	Description	BC2600ICM		BC2600HM		BC2600HMF	
		Part no.	Qty	Part no.	Qty	Part no.	Qty
2	BASE ENGINE BC26 FIXED WA	501120	1	501120	1	501120	1
8	WHEEL 16" STUD TREAD W/CENTERED HUB	500366	2	500366	2	-	-
	WHEEL 16" STUD TREAD FOAM FILLED	-	-	-	-	500371	2
12	BRACKET ANTI ROTATION	501338	2	501338	2	501338	2
13	PULLEY 5" OD "A" SEC	501248	1	501248	1	501248	1
22	BELT 6829 POWERATED	501221	1	501221	1	501221	1
23	BAR SHIFT T AXLE	501255	1	501255	1	501255	1
36	BRACKET BELT FINGER BC26	501252	1	501252	1	501252	1
41	CABLE CONTROL SHIFTER BC26	501254	1	501254	1	501254	1
44	GROMMET 1.25" HOLE	520092	1	520092	1	520092	1
46	GUIDE BELT RH BC	501253	1	501253	1	501253	1
47	KEY 3/16" SQ X 2 1/8"	9201087	2	9201087	2	9201087	2
48	BRACKET SHIFTER LOWER BC26	501283	1	501283	1	501283	1
54	TRANSAXLE 3 SPD W/REV	521102	1	521102	1	521102	1
60	RING RETAINING "E" 3/4"	850230	2	850230	2	850230	2
68	LABEL SAFETY PROTECT READ MANUAL	100346	1	100346	1	100346	1
69	WASHER .765" ID X 1.25" OD X .06"	850238	2	850238	2	850238	2
70	LABEL MADE IN USA	520116	1	520116	1	520116	1
71	RING SNAP TRUARC 5/8"	850233	1	850233	1	850233	1
72	LABEL CHOCK WHEEL	500168	2	500168	2	500168	2
75	SER HEX WSHR FLNG SCR 5/16"-18 X 3/4"	351264	4	351264	4	351264	4
82	SCREW SELF TAP 5/16" X 3/4" HEX	8123128	4	8123128	4	8123128	4
87	SCREW MACHINE #10-24 X 3/4" WF ZP	8059136	2	8059136	2	8059136	2
92	NUT LOCK #10-24 HEX	8155007	2	8155007	2	8155007	2
93	BOLT CARRIAGE 1/4"-20 X 3/4" ZP	8024021	7	8024021	7	8024021	7
95	WASHER LOCK 1/4" EXTERNAL TOOTH	8181007	1	8181007	1	8181007	1
96	WASHER 1/4" SAE	8172007	1	8172007	1	8172007	1
98	SCREWCAP 5/16"-18 X 2 3/4" HCS ZP	8041035	4	8041035	4	8041035	4
108	NUT LOCK 1/4"-20 HEX ZP	8160001	7	8160001	7	8160001	7
109	SCREW 3/8" X 1 1/2" TCS	850408	5	850408	1	850408	1
	SCREWCAP 5/16"- 24 X 1" GR. 8 ZP W/PATCH	-	-	400164	2	400164	2
115	WASHER LOCK 5/16" S/T MED	8177011	6	8177011	6	8177011	6